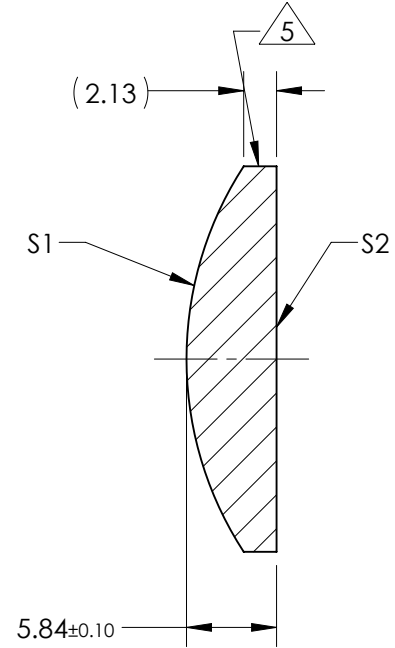
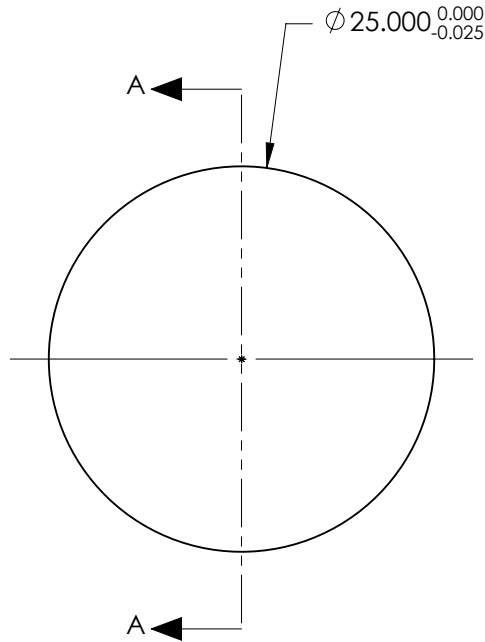


NOTES:

1. SUBSTRATE:  
CORNING: FUSED SILICA 458/678
2. ROHS COMPLIANT
3. CENTERING TOLERANCE (AT 587.6nm):  
BEAM DEVIATION (HALF ANGLE): <1 ARCMIN
4. COATING (APPLY ACROSS COATING APERTURE)  
S1 & S2: UV-AR  
R(ABS) ≤ 1.0% FROM 250-425nm @ 0° AOI  
R(AVG) ≤ 0.75% FROM 250-425nm @ 0° AOI  
R(AVG) ≤ 0.5% FROM 370-420nm @ 0° AOI
5. FINE GRIND SURFACE
6. POWER, IRREGULARITY, AND SURFACE QUALITY SPECIFICATIONS APPLY ACROSS CLEAR APERTURE
7. FOCAL LENGTH (EFL): 50.00mm±1%  
BACK FOCAL LENGTH (BFL): 46.00mm
8. PROTECTIVE BEVEL AS NEEDED
9. DESIGN WAVELENGTH: 587.6nm



SECTION A-A

**FOR INFORMATION ONLY:  
DO NOT MANUFACTURE  
PARTS TO THIS DRAWING**

|                         | S1           | S2           |
|-------------------------|--------------|--------------|
| SHAPE                   | CONVEX       | PLANO        |
| RADIUS                  | 22.92        | INFINITY     |
| SURFACE QUALITY         | 40 - 20      | 40 - 20      |
| MIN CLEAR APERTURE      | $\phi 24.00$ | $\phi 24.00$ |
| MIN COATING APERTURE    | $\phi 24.00$ | $\phi 24.00$ |
| POWER AT 632.8nm        | 3.00 RINGS   | 3.00 RINGS   |
| IRREGULARITY AT 632.8nm | 0.50 RINGS   | 0.50 RINGS   |

SPECIFICATIONS SUBJECT TO CHANGE WITHOUT NOTICE  
DIMENSIONS ARE FOR REFERENCE ONLY

**EO**® Edmund Optics®

|                        |    |        |  |
|------------------------|----|--------|--|
| THIRD ANGLE PROJECTION |    | TITLE  | 25mm Dia. x 50mm FL UV-AR Coated, UV Plano-Convex Lens |
| ALL DIMS IN            | mm | DWG NO | 48284  |
|                        |    |        | SHEET 1 OF 1   |