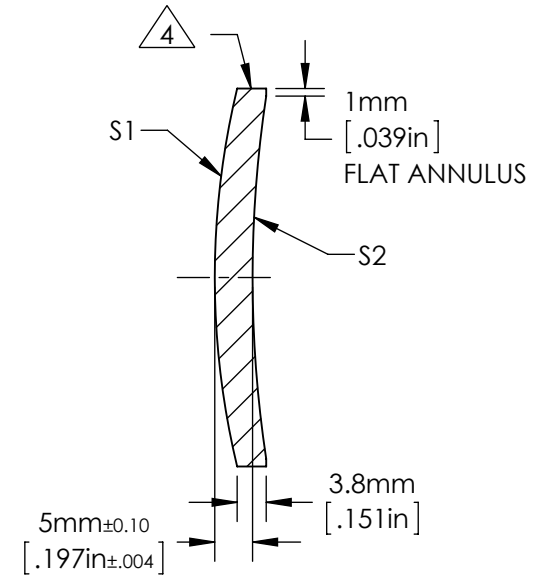
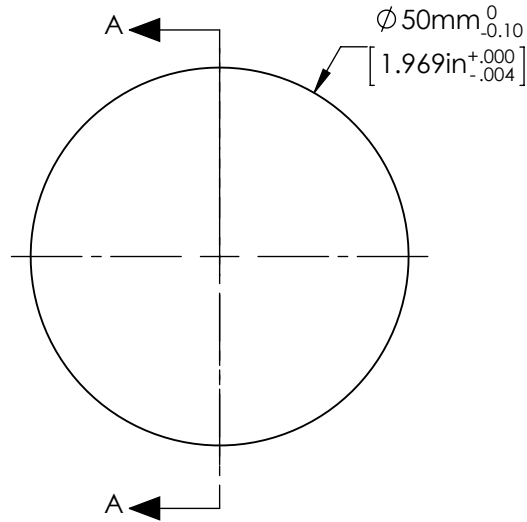


NOTES:


1. ALLOWABLE OPTICAL MATERIAL:
OPTICAL GRADE GERMANIUM
2. CENTERING TOLERANCE (AT 587.6nm):
BEAM DEVIATION: <3 ARCMINUTES
3. COATING (APPLY ACROSS COATING APERTURE)
S1 & S2: T(AVG) > 94% FROM 8.0-12.0µm
R(AVG) <1.0% FROM 8.0-12.0µm

4. EDGES DIAMOND TURNED



SECTION A-A

**FOR INFORMATION ONLY:
DO NOT MANUFACTURE PARTS TO THIS DRAWING**

	S1	S2	EFL (AT 10.6µm)	(100.00)	 Edmund Optics®	
SHAPE	CONVEX	CONCAVE	BFL (AT 10.6µm)	(96.49)		TITLE
RADIUS	107.03	160.46	ALL DIMS IN	mm	DWG NO	87972
SURFACE QUALITY	60 - 40	60 - 40				
CLEAR APERTURE	≥ ø45.00	≥ ø45.00				
BEVEL MAX FACE	0.3mm x 45°	0.3mm x 45°				