

NOTES:

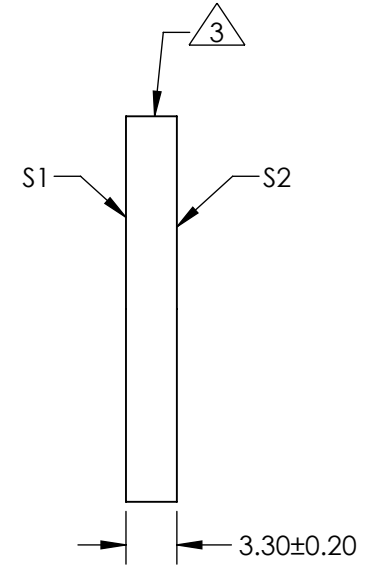
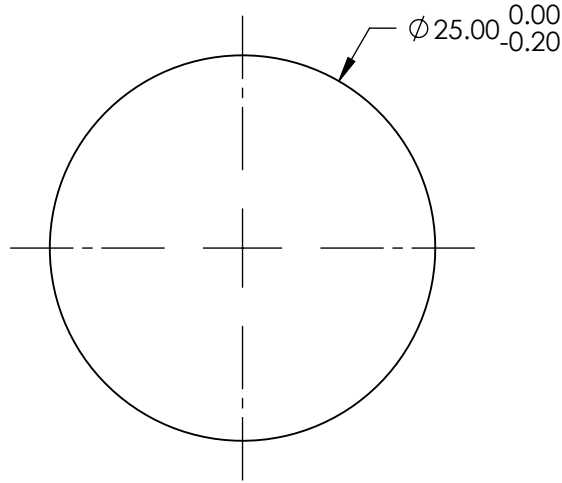
1. SUBSTRATE MATERIAL: GRADE A FINE ANNEALED
SCHOTT: BOROFLOAT® 472/657

2. COATING (APPLY ACROSS CLEAR APERTURE)
SPECIFICATIONS APPLY FOR 0° AOI

S1: T(AVG) > 90% FROM 400-690nm
R(AVG) > 95% FROM 710-1150nm


S2: R(AVG) < 1.0% FROM 400-700nm

3. EDGES: CUT, SHARP EDGES REMOVED



**FOR INFORMATION ONLY:
DO NOT MANUFACTURE
PARTS TO THIS DRAWING**

SPECIFICATIONS SUBJECT TO CHANGE WITHOUT NOTICE
DIMENSIONS ARE FOR REFERENCE ONLY

	S1	S2	EFL (AT 587.6nm)	NA	 Edmund Optics®	
SHAPE	PLANO	PLANO	BFL (AT 587.6nm)	NA	TITLE	0° AOI, 25mm Diameter, Hot Mirror
SURFACE ACCURACY AT 632.8nm (P-V)	4-6 WAVES PER INCH	4-6 WAVES PER INCH	ALL DIMS IN	mm	DWG NO	64457
SURFACE QUALITY	80 - 50	80 - 50				SHEET 1 OF 1
MIN CLEAR APERTURE	∅ 24.00	∅ 24.00				