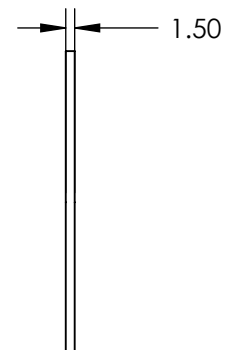
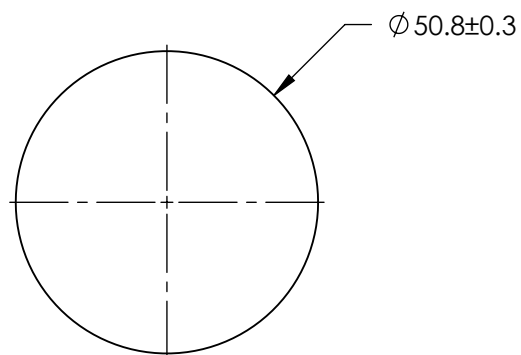
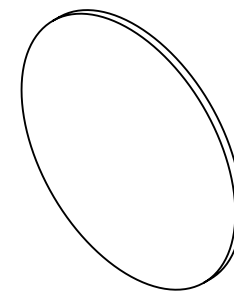
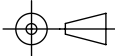


**FOR INFORMATION ONLY:  
DO NOT MANUFACTURE  
PARTS TO THIS DRAWING**



SPECIFICATIONS SUBJECT TO CHANGE WITHOUT NOTICE  
DIMENSIONS ARE FOR REFERENCE ONLY

**EO**<sup>®</sup> **Edmund Optics**<sup>®</sup>

THIRD ANGLE PROJECTION 		TITLE	Ø50.8mm, RED OPTICAL CAST PLASTIC FILTER	
ALL DIMS IN	mm	DWG NO	43943	SHEET 1 OF 1