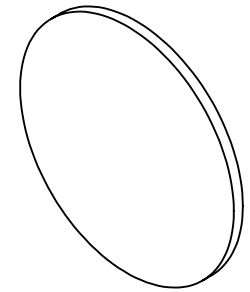


NOTES:

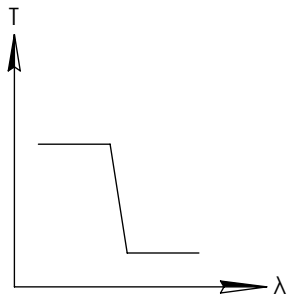
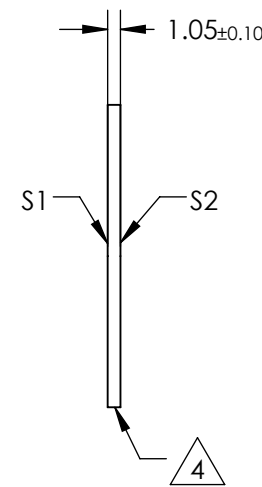
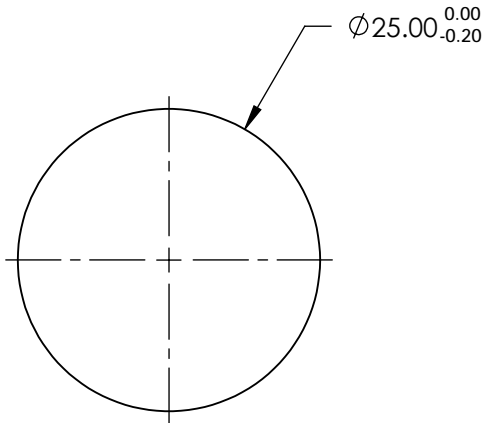
**FOR INFORMATION ONLY:  
DO NOT MANUFACTURE  
PARTS TO THIS DRAWING**



1. SUBSTRATE
  2. SURFACE S2 TO BE PARALLEL WITH SURFACE S1 TO WITHIN 5 arcsec
  3. COATING (APPLY ACROSS COATING APERTURE)  
 ENVIRONMENTAL DURABILITY:  
 PHYSICAL DURABILITY:  
 PERFORMANCE SPECIFICATIONS:  
 T(avg): >85% FROM 624 - 1152nm FOR RANDOM POLARIZATION @ 45° AOI  
 T(abs): >80% FROM 624 - 1152nm FOR ALL POLARIZATIONS @ 45° AOI  
 R(avg): >97% FROM 1260 - 1560nm FOR RANDOM POLARIZATION @ 45° AOI  
 R(abs): >95% FROM 1260 - 1560nm FOR ALL POLARIZATIONS @ 45° AOI  
 T(abs): = 50% 1200nm @ 45° AOI
- S1: HARD COATED  
S2: SINGLE LAYER MgF2

4. FINE GRIND SURFACE

5. POWER, IRREGULARITY, AND SURFACE QUALITY SPECIFICATIONS  
APPLY ACROSS CLEAR APERTURE
6. TRANSMITTED WAVEFRONT DISTORTION RMS@ 632.8nm  $\leq \frac{1}{4} \lambda$
7. ROHS COMPLIANT

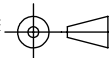


SHORTPASS FILTER

SPECIFICATIONS SUBJECT TO CHANGE WITHOUT NOTICE  
DIMENSIONS ARE FOR REFERENCE ONLY

	S1	S2
SHAPE	PLANO	PLANO
SURFACE QUALITY	60-40	60-40
CLEAR APERTURE	Ø22.00	Ø22.00
BEVEL	PROTECTIVE AS NEEDED	PROTECTIVE AS NEEDED

THIRD ANGLE  
PROJECTION



ALL DIMS IN

mm

**EO**® Edmund Optics®

TITLE

Ø25mm, 1200nm DICHROIC SHORTPASS  
FILTER

DWG NO

86693

SHEET  
1 OF 1