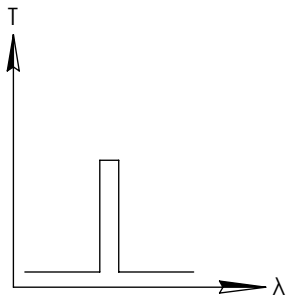
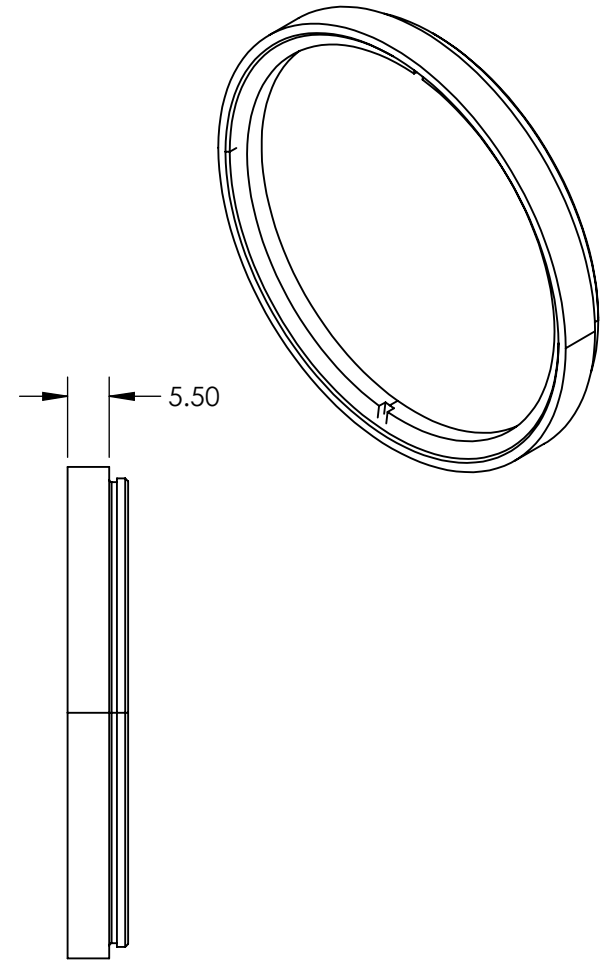
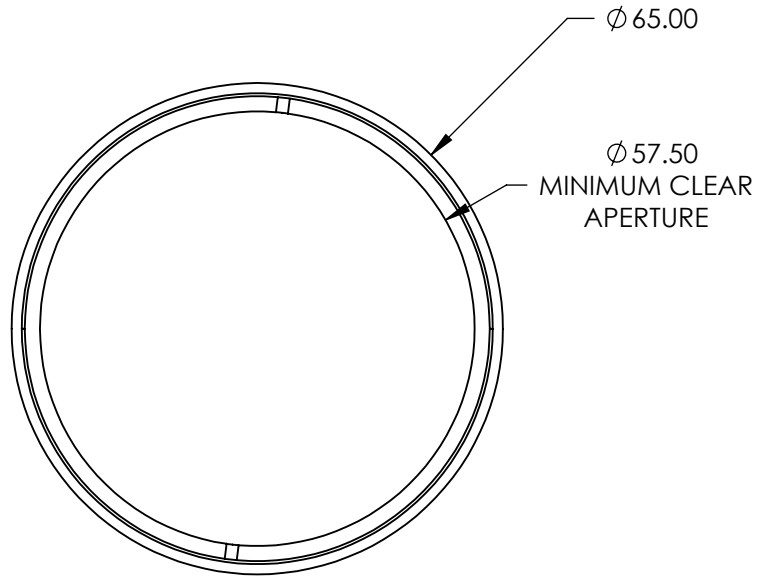


**FOR INFORMATION ONLY:
DO NOT MANUFACTURE
PARTS TO THIS DRAWING**



IMAGING FILTER

REV. A	VALUE
CENTER WAVELENGTH (CWL)	325 \pm 2nm
FULL WIDTH HALF MAX (FWHM)	106 \pm 2nm
AVERAGE TRANSMISSION (%)	≥ 75
BLOCKING	200 - 650
SURFACE QUALITY	80-50
CONSTRUCTION	MOUNTED IN BLACK ANODIZED ALUMINUM RING
COATING TYPE	HARD COATED
DURABILITY	MIL-C-48497A, SECT. 3.4.1
ENVIRONMENTAL	MIL-STD-801F, SECT. 507.4

SPECIFICATIONS SUBJECT TO CHANGE WITHOUT NOTICE
DIMENSIONS ARE FOR REFERENCE ONLY

EO® Edmund Optics®

THIRD ANGLE PROJECTION

TITLE	NUV M62.0 X 0.75 IMAGING FILTER		
DWG NO	89762	SHEET 1 OF 1	

ALL DIMS IN

mm