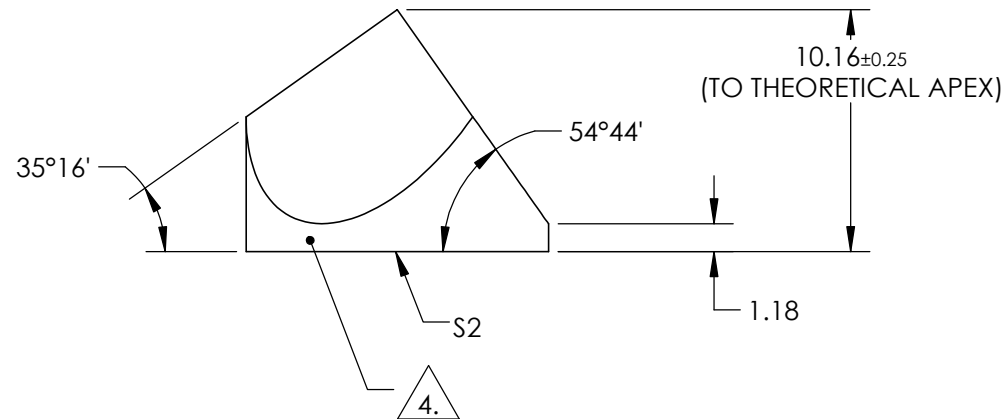
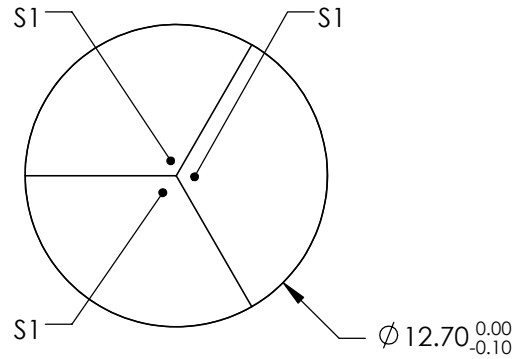
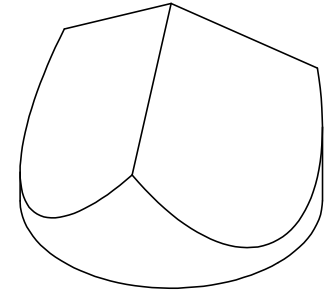


NOTES:

1. SUBSTRATE : FUSED SILICA
2. ROHS COMPLIANT
3. COATING (APPLY ACROSS COATING APERTURE)  
S1: UNCOATED  
S2: UNCOATED

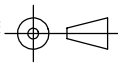
4. FINE GRIND SURFACE
5. CLEAR APERTURE (%): 90




**FOR INFORMATION ONLY:  
DO NOT MANUFACTURE  
PARTS TO THIS DRAWING**

SPECIFICATIONS SUBJECT TO CHANGE WITHOUT NOTICE  
DIMENSIONS ARE FOR REFERENCE ONLY

REV A	S1 & S2
SURFACE FLATNESS	$\lambda/10$
SURFACE QUALITY	20-10
WAVELENGTH RANGE	200 - 2200 nm
ANGLE TOL. (arcsec)	5
BEVEL	PROTECTED AS NEEDED

THIRD ANGLE PROJECTION 

ALL DIMS IN mm

 **Edmund Optics®**

TITLE: 12.7mm UNCOATED, FUSED SILICA CORNER CUBE

DWG NO: 49009

SHEET 1 OF 1