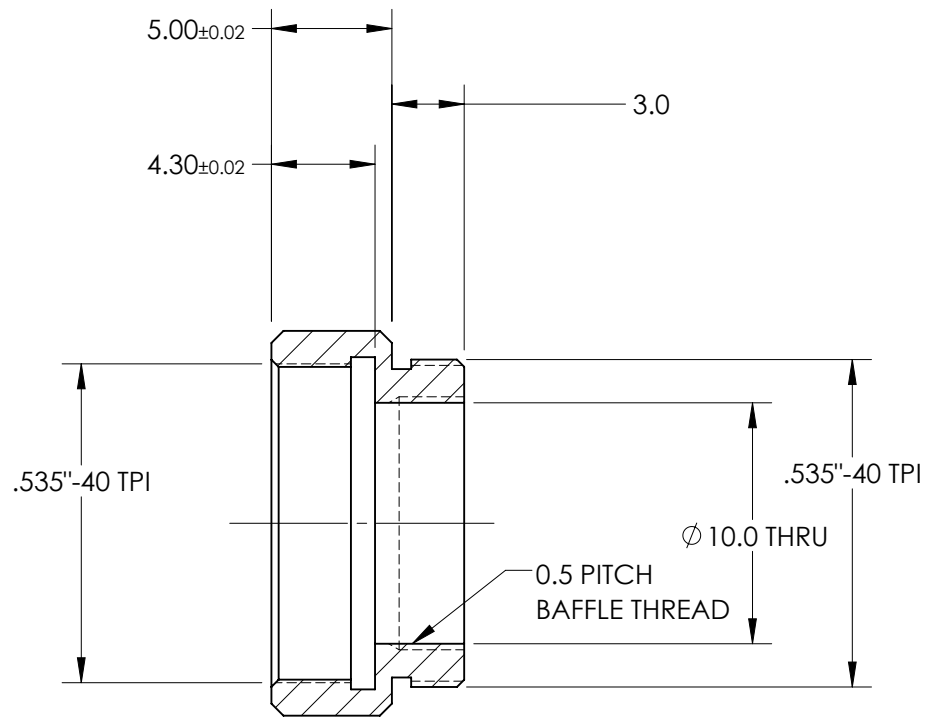


$\phi 15.97^{+0.00}_{-0.10}$



SECTION A-A

FOR INFORMATION ONLY:
DO NOT MANUFACTURE PARTS TO THIS DRAWING

SPECIFICATIONS SUBJECT TO CHANGE WITHOUT NOTICE
DIMENSIONS ARE FOR REFERENCE ONLY

EO® Edmund Optics®

TITLE	5 mm SM05 Lens Tube		
DWG NO	35775	MATERIAL	BLACK ANODIZE ALUMINUM
			SHEET 1 OF 1