

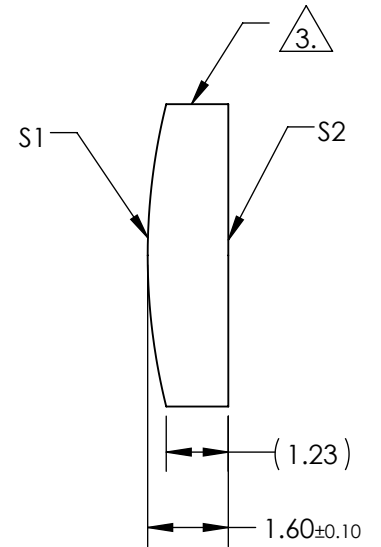
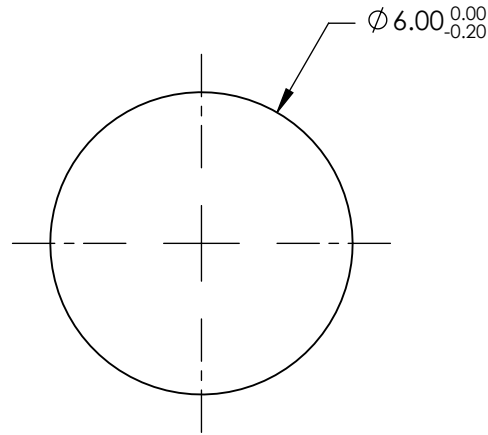
NOTES:

1. SUBSTRATE MATERIAL:
N-BK7
2. COATING (APPLY ACROSS CLEAR APERTURE)

S1 & S2: NONE


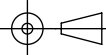
3. FINE GROUND SURFACE

4. RoHS COMPLIANT



**FOR INFORMATION ONLY:
DO NOT MANUFACTURE
PARTS TO THIS DRAWING**

SPECIFICATIONS SUBJECT TO CHANGE WITHOUT NOTICE
DIMENSIONS ARE FOR REFERENCE ONLY

	S1	S2	EFL	24.00	 Edmund Optics®	TITLE 6mm DIA X 24mm FL UNCOATED, CYLINDER LENS	
SHAPE	CONVEX	PLANO	BFL	22.94			
RADIUS	12.40	INFINITY	THIRD ANGLE PROJECTION 		DWG NO 68028		SHEET 1 OF 1
SURFACE QUALITY	60-40	60-40					
CLEAR APERTURE	Ø5.40	Ø5.40	ALL DIMS IN	mm			
BEVEL	PROTECTIVE AS NEEDED	PROTECTIVE AS NEEDED					