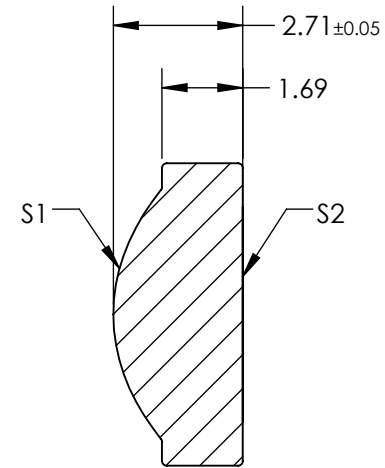
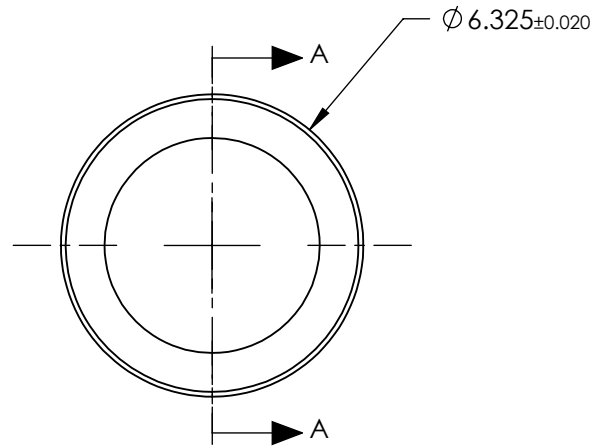


NOTES:


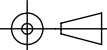
1. SUBSTRATE:
D-ZLAF52LA
2. NUMERICAL APERTURE: 0.55
3. COATING
S1 & S2: R(ABS) < 1.0% @ 1050 - 1600nm
4. FOCAL LENGTH TOLERANCE: ±1%
5. TRANSMITTED WAVEFRONT ERROR (λ , RMS): < 0.087



SECTION A-A

**FOR INFORMATION ONLY:
DO NOT MANUFACTURE
PARTS TO THIS DRAWING**

SPECIFICATIONS SUBJECT TO CHANGE WITHOUT NOTICE DIMENSIONS ARE FOR REFERENCE ONLY

| | | | | | |
|-----------------|----------------------|----------------------|--|-------------|---|
| | S1 | S2 | EFL | 4.51 |  Edmund Optics® |
| | | | BFL | 3.08 | |
| SHAPE | CONVEX | PLANO | THIRD ANGLE PROJECTION  | TITLE | 0.55 NA 4.51mm FL 1050-1600nm AR COATED, MOLDED ASPHERIC LENS |
| SURFACE QUALITY | 40-20 | 40-20 | | DWG NO | 87155 |
| CLEAR APERTURE | Ø5.07 | Ø5.07 | | ALL DIMS IN | mm |
| BEVEL MAX | PROTECTIVE AS NEEDED | PROTECTIVE AS NEEDED | | | SHEET 1 OF 1 |