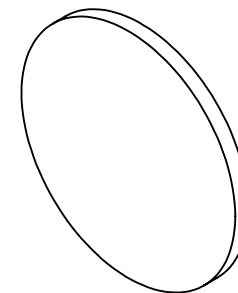


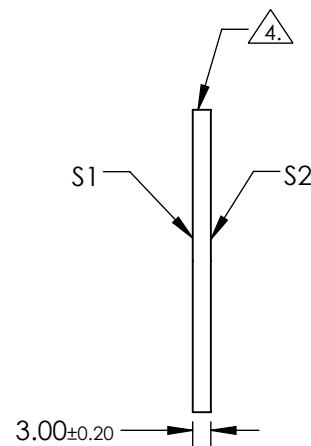
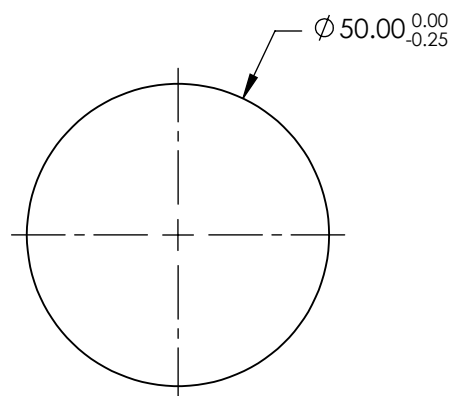
NOTES:

1. SUBSTRATE: N-BK7
2. S2 TO BE PARALLEL WITH S1 TO < 1 ARCMIN
3. COATING (APPLY ACROSS CLEAR APERTURE)  
 S1 & S2: R(ABS) ≤ 0.25% @ 880nm  
 R(AVG) ≤ 1.25% @ 400 - 870nm  
 R(AVG) ≤ 1.25% @ 890 - 1000nm



 FINE GRIND SURFACE

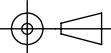
5. RoHS COMPLIANT
6. SURFACE FLATNESS (P-V):  
 $\lambda/4$  (per inch over clear aperture)



**FOR INFORMATION ONLY:  
DO NOT MANUFACTURE  
PARTS TO THIS DRAWING**

SPECIFICATIONS SUBJECT TO CHANGE WITHOUT NOTICE  
DIMENSIONS ARE FOR REFERENCE ONLY

	S1	S2
SHAPE	PLANO	PLANO
SURFACE QUALITY	60-40	60-40
CLEAR APERTURE	Ø45.00	Ø45.00
BEVEL	PROTECTIVE AS NEEDED	PROTECTIVE AS NEEDED

THIRD ANGLE PROJECTION 

ALL DIMS IN mm

 **Edmund Optics®**

TITLE 50mm DIA., 3mm THICK, VIS-NIR COATED  $\lambda/4$  N-BK7 WINDOW

DWG NO 37018 SHEET 1 OF 1