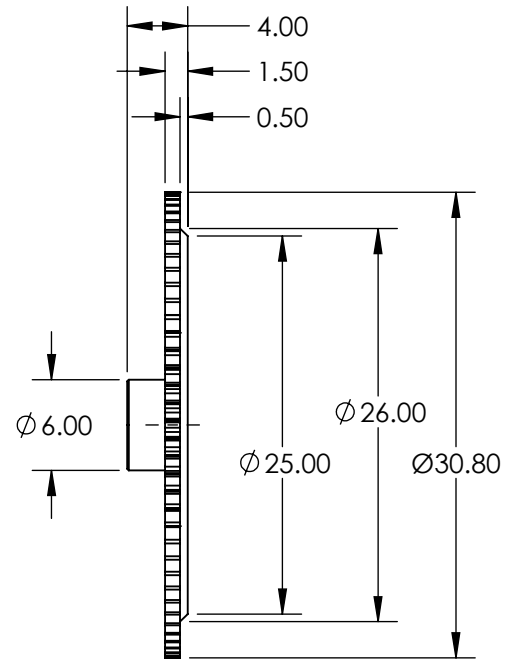
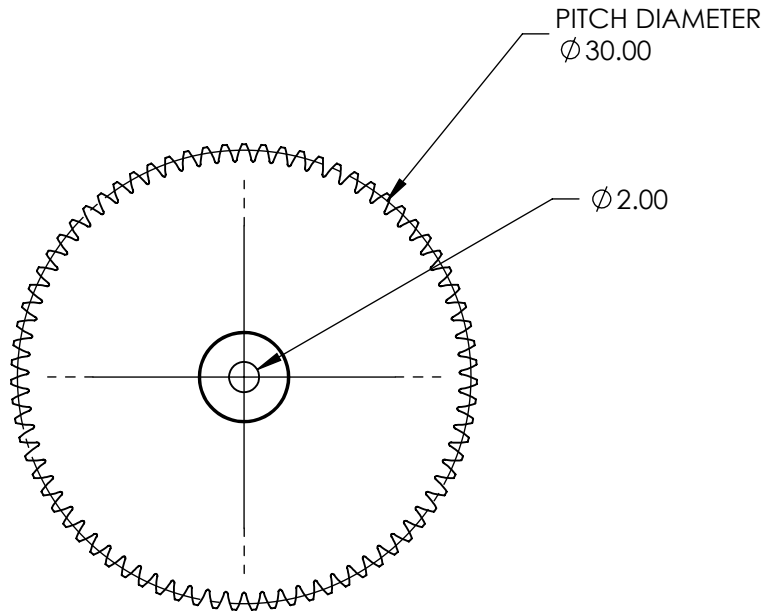
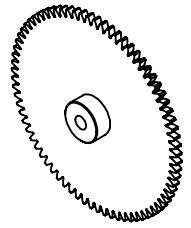


**FOR INFORMATION ONLY:
DO NOT MANUFACTURE
PARTS TO THIS DRAWING**



SPECIFICATIONS SUBJECT TO CHANGE WITHOUT NOTICE
DIMENSIONS ARE FOR REFERENCE ONLY

EO[®] **Edmund Optics**[®]

| | | | | | | |
|-----------------|-------|------------------------|----|--------|-----------------------------------|--------------|
| REV. A | VALUE | THIRD ANGLE PROJECTION | | TITLE | 30.8mm MOTORIZABLE IRIS SPUR GEAR | |
| CONSTRUCTION | BRASS | ALL DIMS IN | mm | DWG NO | 34519 | SHEET 1 OF 1 |
| NUMBER OF TEETH | 75 | | | | | |
| MODULE | 0.4 | | | | | |