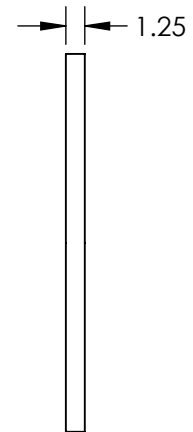
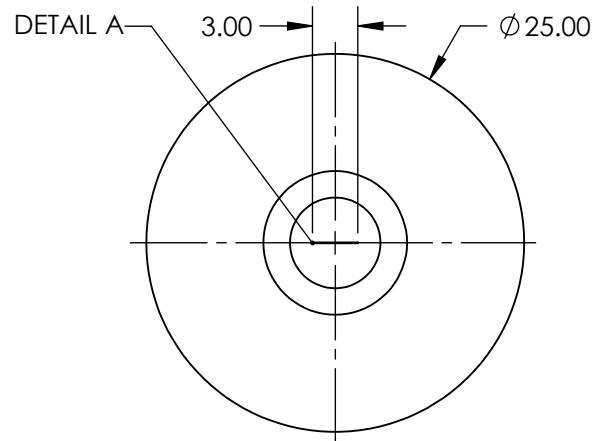
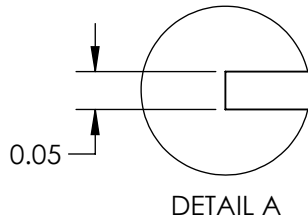
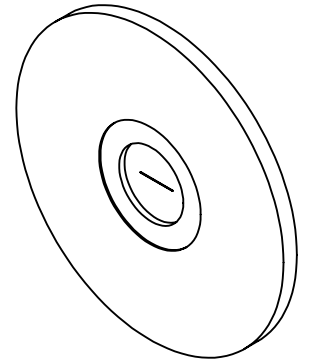


NOTES:

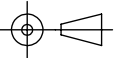
1. MATERIAL: STAINLESS STEEL
2. MOUNT MATERIAL: BLACK ANODIZED ALUMINUM
3. RoHS: COMPLIANT



SPECIFICATIONS SUBJECT TO CHANGE WITHOUT NOTICE  
 DIMENSIONS ARE FOR REFERENCE ONLY

**FOR INFORMATION ONLY:  
 DO NOT MANUFACTURE  
 PARTS TO THIS DRAWING**

**EO**® Edmund Optics®

THIRD ANGLE PROJECTION 		TITLE	50µm x 3mm, MOUNTED, PRECISION AIR SLIT	
ALL DIMS IN	mm	DWG NO	58542	SHEET 1 OF 1