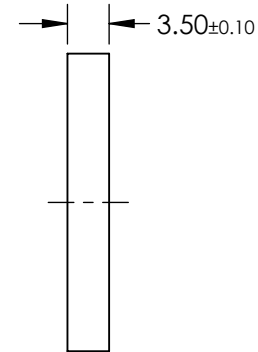
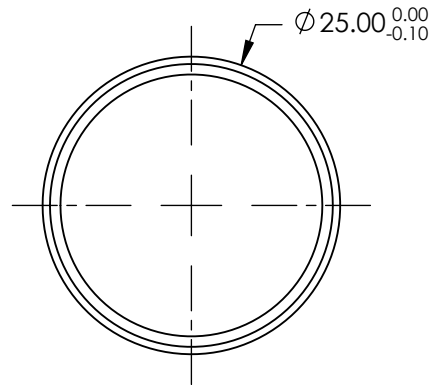
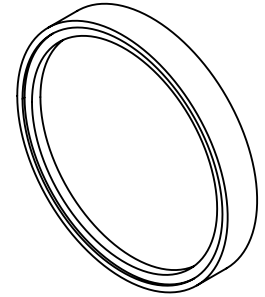


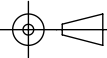
**FOR INFORMATION ONLY:
DO NOT MANUFACTURE
PARTS TO THIS DRAWING**



SUBSTRATE	Fused Silica
ANGLE OF INCIDENCE	0 ±2
BANDWIDTH (nm)	>400
CENTER WAVELENGTH CWL (nm)	325
OPTICAL DENSITY OD	≥6.0
SHAPE	PLANO
SURFACE QUALITY	60-40
TRANSMISSION (%)	90
EDGE STEEPNESS (nm)	1.6
TRANSITION WIDTH (nm)	<3.3
CLEAR APERTURE (%)	>80
DURABILITY	Environmental: MIL-STD-810F, Physical: MIL-C-48497A
RoHS	COMPLIANT

SPECIFICATIONS SUBJECT TO CHANGE WITHOUT NOTICE
DIMENSIONS ARE FOR REFERENCE ONLY

EO® Edmund Optics®

THIRD ANGLE PROJECTION 	TITLE	25mm Dia., 325nm Laser Line Longpass Filter	
	ALL DIMS IN	mm	DWG NO 47498
			SHEET 1 OF 1