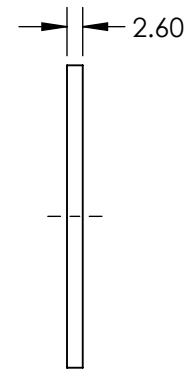
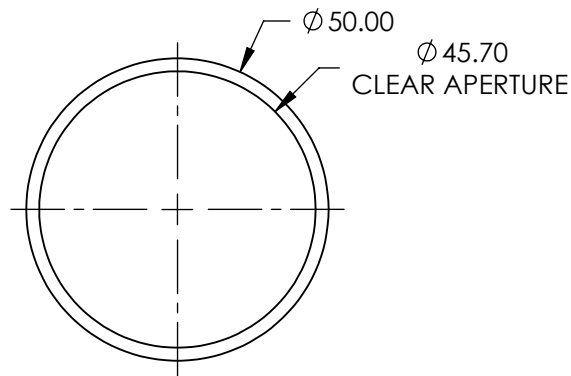
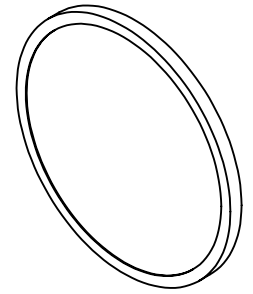


**FOR INFORMATION ONLY:
DO NOT MANUFACTURE
PARTS TO THIS DRAWING**



| | |
|----------------------------|--|
| ANGLE TOLERANCE (°) | $\pm 1 \times \pm 6$ |
| DIFFUSING ANGLE (°) | 10 x 60 (FWHM) |
| DAMAGE THRESHOLD, PULSED | 0.22 J/cm ² @ 1064nm @ 10ns |
| OPERATING TEMPERATURE (°C) | -30 to +100 (Maximum of 240 Hours) |
| SUBSTRATE | Polycarbonate |
| TRANSMISSION (%) | >85 |
| WAVELENGTH RANGE (nm) | 400 - 1600 |
| RoHS | COMPLIANT |

SPECIFICATIONS SUBJECT TO CHANGE WITHOUT NOTICE
DIMENSIONS ARE FOR REFERENCE ONLY

EO® **Edmund Optics**®



| | | | |
|--------|---|-------|--------|
| TITLE | 10 x 60° Diffusing Angle 50mm Dia Mounted | | |
| DWG NO | 48010 | SHEET | 1 OF 1 |

ALL DIMS IN mm