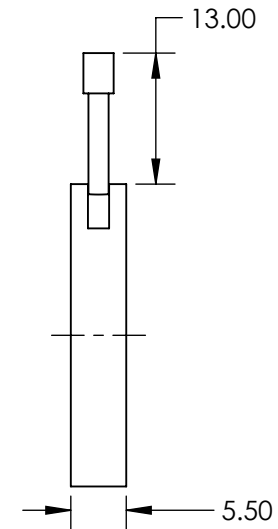
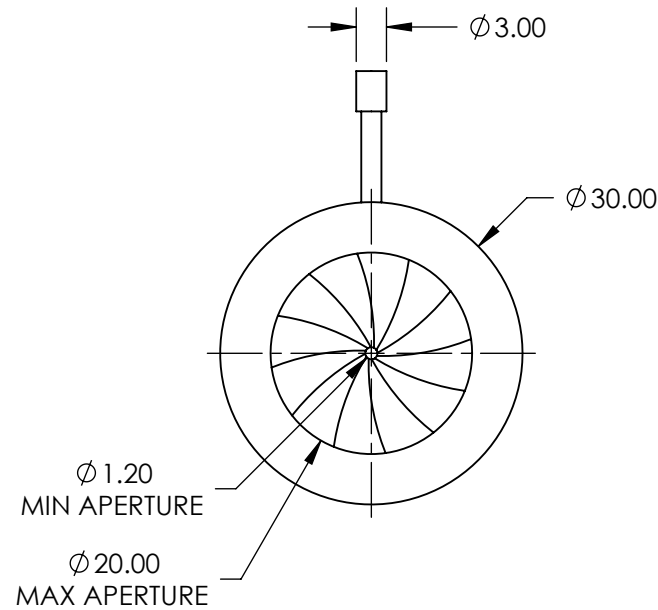


NOTES:

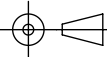
1. CONSTRUCTION:
Anodized Aluminum Alloy, Anti-Reflection (AR) Leaves
2. NUMBER OF LEAVES: 12
3. OPERATING TEMPERATURE (°C): <180
4. ROHS: COMPLIANT



SPECIFICATIONS SUBJECT TO CHANGE WITHOUT NOTICE
DIMENSIONS ARE FOR REFERENCE ONLY

**FOR INFORMATION ONLY:
DO NOT MANUFACTURE
PARTS TO THIS DRAWING**

EO® Edmund Optics®

THIRD ANGLE PROJECTION 		TITLE	30mm Outer Dia., AR Steel Leaves Iris Diaphragm	
ALL DIMS IN	mm	DWG NO	57577	SHEET 1 OF 1