

NOTES:

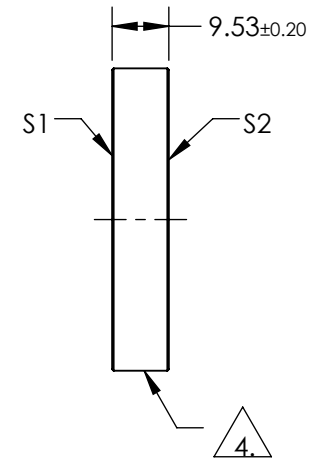
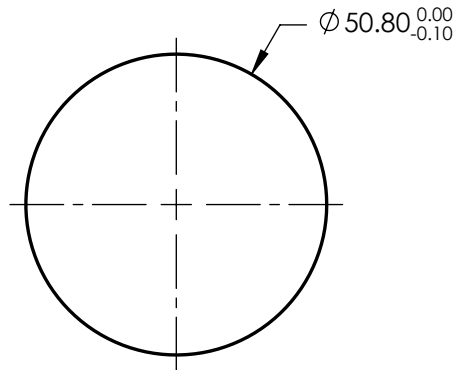
1. SUBSTRATE:  
FUSED SILICA
2. S2 TO BE PARALLEL TO S1 TO WITHIN <3ARCMIN
3. COATING (APPLY ACROSS COATING APERTURE)  
S1: BROADBAND  
R(AVG) >98% from 400 - 750nm @ 0 - 45 deg AOI For All Polarizations  
R(AVG) >99% from 400-750nm @ 0 - 45 deg AOI For S-Polarization

DAMAGE THRESHOLD,  
PULSED: 0.5J/cm<sup>2</sup>, 20ns , 20Hz @ 532nm

S2: NONE

4. FINE GROUND SURFACE

5. CLEAR APERTURE AND COATING APERTURE ARE CENTERED ON SURFACE
6. SURFACE QUALITY SPECIFICATIONS APPLY ACROSS CLEAR APERTURE
7. ROHS: COMPLIANT



**FOR INFORMATION ONLY:  
DO NOT MANUFACTURE  
PARTS TO THIS DRAWING**

SPECIFICATIONS SUBJECT TO CHANGE WITHOUT NOTICE  
DIMENSIONS ARE FOR REFERENCE ONLY

	S1	S2
SHAPE	PLANO	PLANO
SURFACE QUALITY	20-10	COMMERCIAL POLISH
SURFACE FLATNESS	$\lambda/10$ (BEFORE COATING)	N/A
CLEAR APERTURE	Ø45.72	N/A
COATING APERTURE	Ø49.80	N/A
BEVEL	PROTECTIVE AS NEEDED	PROTECTIVE AS NEEDED

THIRD ANGLE PROJECTION

ALL DIMS IN mm

**Edmund Optics®**

TITLE: MIRROR BROADBAND 400-750nm 50.8mm DIA

DWG NO: 39226

SHEET 1 OF 1