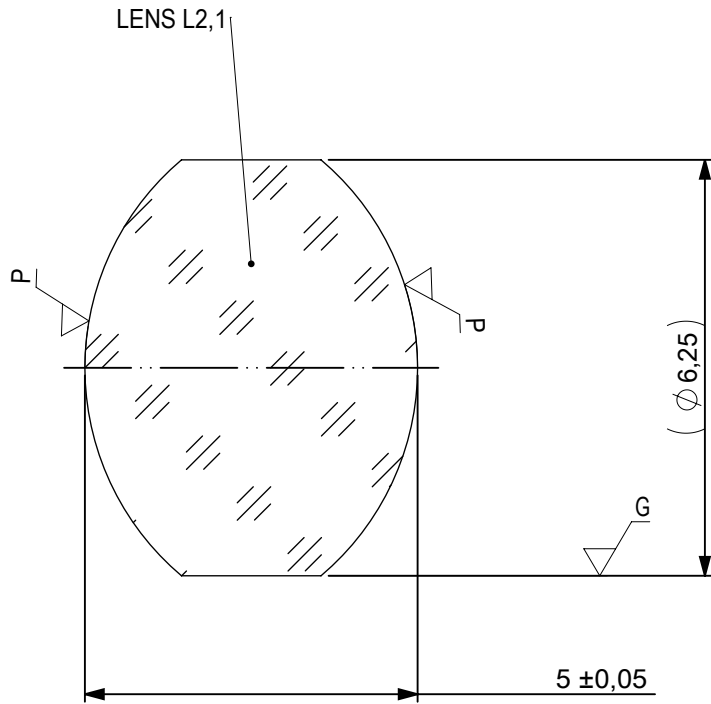



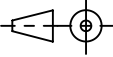
FOCAL LENGTH (EFL): 12,5 ±0,13
 BACK FOCAL LENGTH (BFL): 8,94

SURFACE A		SURFACE B		SURFACE C		SURFACE D	
Øe	5,625	Øe	5,625	Øe	5,625	Øe	5,625
		CEMENT: NOA 61 OR EQUIVALENT				CEMENT: NOA 61 OR EQUIVALENT	

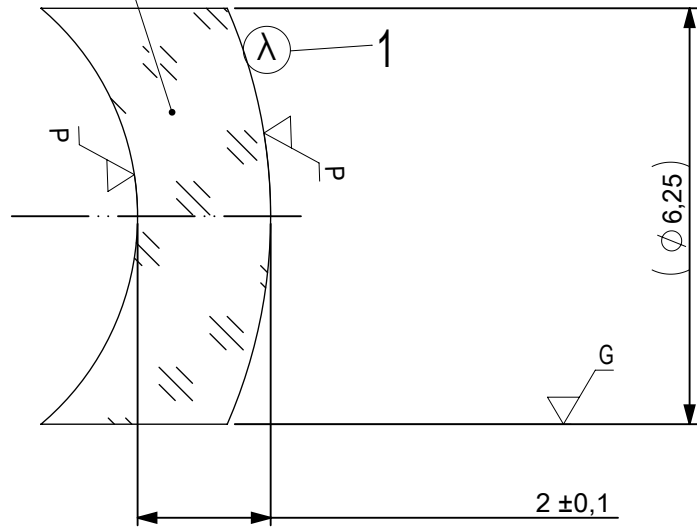
PROTECTIVE CHAMFERS AS NEEDED		FIRST ANGLE PROJECTION 	Edmund Optics®	
ROHS: COMPLIANT	SCALE: NONE			
SPECIFICATIONS SUBJECT TO CHANGE WITHOUT NOTICE. DIMENSIONS ARE FOR REFERENCE ONLY			TITLE	
FOR INFORMATION ONLY: DO NOT MANUFACTURE PARTS TO THIS DRAWING			6,25mm Dia x 12,5mm EFL Steinheil Triplet Achromatic Lens	
INDICATIONS IN ACCORDANCE WITH ISO 10110			ALL DIMS IN:	mm
DWG NO		47673		SHEET SIZE
				A4
				SHEET 1 OF 3



LEFT SURFACE	MATERIAL	RIGHT SURFACE
R 4,09±0,004 CX Øe 5,625 3/ 3 (0,5) λ=632,8 nm 4/ - 5/ 40 - 20 (MIL-PRF-13830B) 6/ -	GLASS N-BK7 704/394	R 4,09±0,004 CX Øe 5,625 3/ 3 (0,5) λ=632,8 nm 4/ - 5/ 40 - 20 (MIL-PRF-13830B) 6/ -

PROTECTIVE CHAMFERS AS NEEDED		FIRST ANGLE PROJECTION	 Edmund Optics®		
ROHS: COMPLIANT	SCALE: NONE λ = 587,6nm				
SPECIFICATIONS SUBJECT TO CHANGE WITHOUT NOTICE. DIMENSIONS ARE FOR REFERENCE ONLY			TITLE	6,25mm Dia x 12,5mm EFL Steinheil Triplet Achromatic Lens	
FOR INFORMATION ONLY: DO NOT MANUFACTURE PARTS TO THIS DRAWING			ALL DIMS IN: mm	DWG NO	47673
INDICATIONS IN ACCORDANCE WITH ISO 10110					SHEET 2 OF 3

LENS L2,2



1 AR COATING:

¼ WAVE MgF2 @ 550nm
 R(AVG) < 1,75% FROM 400-700nm (N-BK7)

LEFT SURFACE	MATERIAL	RIGHT SURFACE
R 4.09±0.004 CV Øe 5,625 3/ 3 (0,5) λ=632,8 nm 4/ - 5/ 40 - 20 (MIL-PRF-13830B) 6/ -	GLASS N-BaSF64 517/642	R 7.81±0.008 CX Øe 5,625 3/ 3 (0,5) λ=632,8 nm 4/ - 5/ 40 - 20 (MIL-PRF-13830B) 6/ -

PROTECTIVE CHAMFERS AS NEEDED

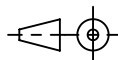
ROHS: COMPLIANT
 SCALE: NONE λ = 587,6nm

SPECIFICATIONS SUBJECT TO CHANGE WITHOUT NOTICE. DIMENSIONS ARE FOR REFERENCE ONLY

FOR INFORMATION ONLY: DO NOT MANUFACTURE PARTS TO THIS DRAWING

INDICATIONS IN ACCORDANCE WITH ISO 10110

FIRST ANGLE PROJECTION



ALL DIMS IN: mm

EO® Edmund Optics®

TITLE 6,25mm Dia x 12,5mm EFL Steinheil Triplet Achromatic Lens

DWG NO 47673

SHEET SIZE A4 SHEET 3 OF 3