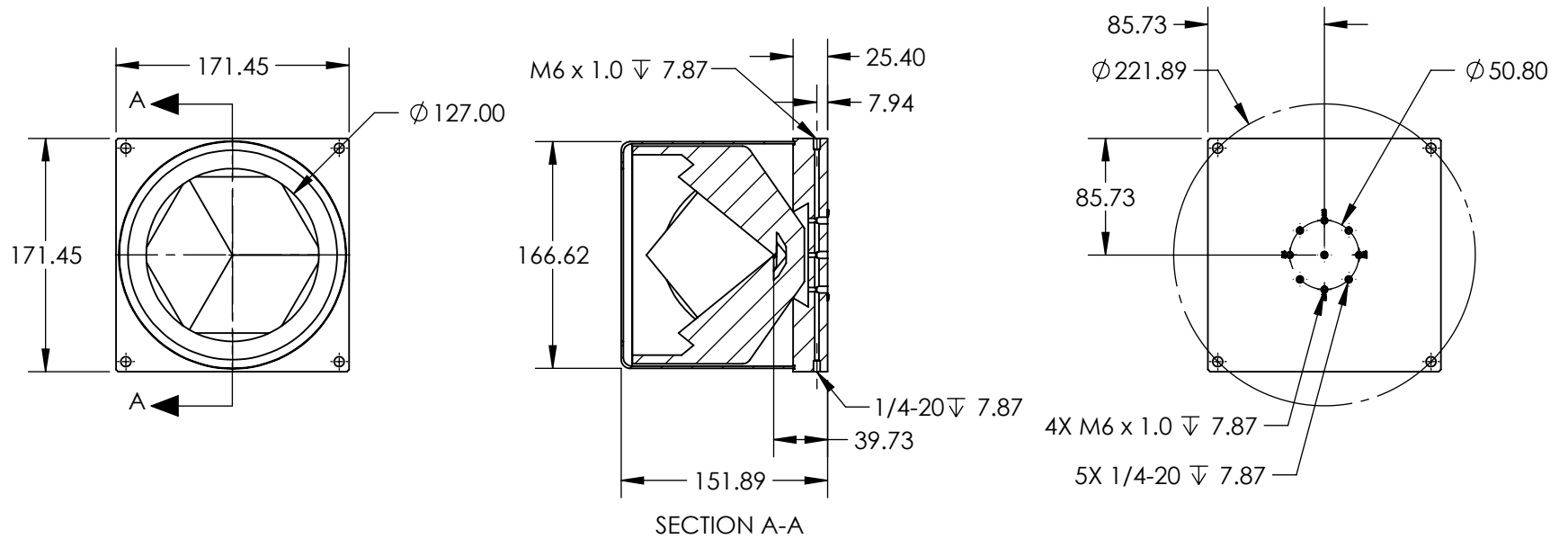


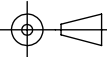
NOTES:  
 1. RoHS: COMPLIANT



SPECIFICATIONS SUBJECT TO CHANGE WITHOUT NOTICE  
 DIMENSIONS ARE FOR REFERENCE ONLY

**FOR INFORMATION ONLY:  
 DO NOT MANUFACTURE  
 PARTS TO THIS DRAWING**

**EO<sup>®</sup> Edmund Optics<sup>®</sup>**

THIRD ANGLE PROJECTION 		TITLE	127mm Clear Aperture, 2 Arcsec, Gold Retroreflector	
ALL DIMS IN	mm	DWG NO	49679	SHEET 1 OF 1