

NOTES:

**FOR INFORMATION ONLY:  
DO NOT MANUFACTURE  
PARTS TO THIS DRAWING**

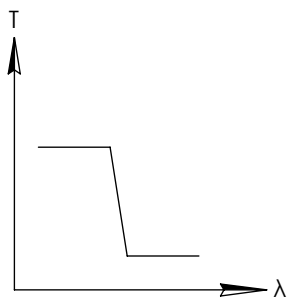
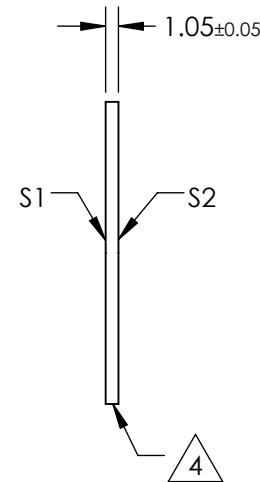
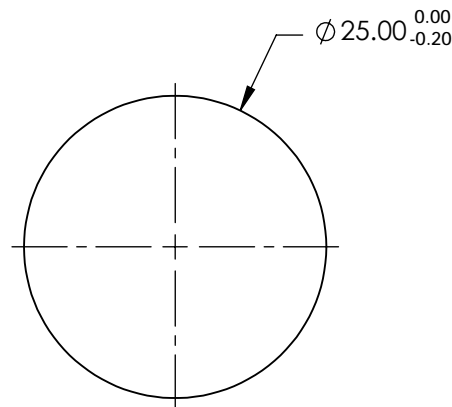
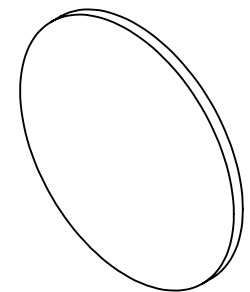
1. SUBSTRATE
2. SURFACE S2 TO BE PARALLEL WITH SURFACE S1 TO WITHIN 5 arcsec
3. COATING (APPLY ACROSS COATING APERTURE)  
PERFORMANCE SPECIFICATIONS:  
 T(avg): >85% FROM 546 - 1008nm FOR RANDOM POLARIZATION @ 45° AOI  
 T(abs): >80% FROM 546 - 1008nm FOR ALL POLARIZATIONS @ 45° AOI  
 R(avg): >97% FROM 1102 - 1365nm FOR RANDOM POLARIZATION @ 45° AOI  
 R(abs): >95% FROM 1102 - 1365nm FOR ALL POLARIZATIONS @ 45° AOI  
 T(abs): = 50% 1050nm @ 45° AOI

GDD: 80 ± 30fs<sup>2</sup> @ 546 - 625nm  
 120 ± 80fs<sup>2</sup> @ 746 - 1008nm

S1: HARD COATED  
 S2: SINGLE LAYER MgF2

4. FINE GRIND SURFACE

5. POWER, IRREGULARITY, AND SURFACE QUALITY SPECIFICATIONS  
APPLY ACROSS CLEAR APERTURE
6. TRANSMITTED WAVEFRONT DISTORTION RMS@ 632.8nm ≤ ¼ λ
7. ROHS COMPLIANT

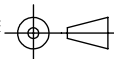


SHORTPASS FILTER

SPECIFICATIONS SUBJECT TO CHANGE WITHOUT NOTICE  
 DIMENSIONS ARE FOR REFERENCE ONLY

	S1	S2
SHAPE	PLANO	PLANO
SURFACE QUALITY	40-20	40-20
CLEAR APERTURE	Ø22.00	Ø22.00
COATING APERTURE	Ø24.00	Ø24.00
BEVEL	PROTECTIVE AS NEEDED	PROTECTIVE AS NEEDED

THIRD ANGLE  
PROJECTION



ALL DIMS IN

mm

**EO**® **Edmund Optics**®

TITLE

1050nm, 25mm Diameter, Low GDD Dichroic  
Shortpass Ultrafast Filter

DWG NO

14032

SHEET  
1 OF 1