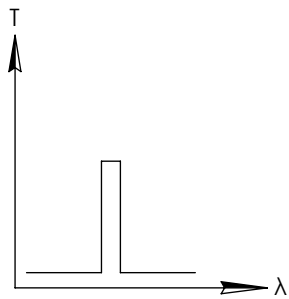
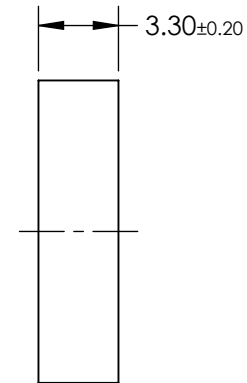
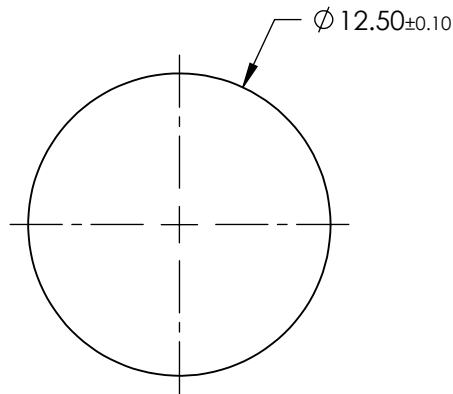
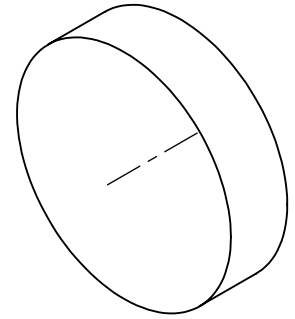


**FOR INFORMATION ONLY:  
DO NOT MANUFACTURE  
PARTS TO THIS DRAWING**

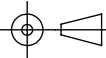


BANDPASS FILTER

|                            | VALUE                       |
|----------------------------|-----------------------------|
| CENTER WAVELENGTH (CWL)    | 365 ± 2nm                   |
| FULL WIDTH HALF MAX (FWHM) | 10 ± 2nm                    |
| MINIMUM TRANSMISSION       | ≥85%                        |
| BLOCKING                   | 200 - 1200nm                |
| CLEAR APERTURE (mm)        | Ø11.25                      |
| SURFACE QUALITY            | 80-50                       |
| COATING TYPE               | HARD COATED                 |
| DURABILITY                 | MIL-C-48497A, SECTION 3.4.1 |
| ENVIRONMENTAL              | MIL-STD-810F, SECTION 507.4 |

SPECIFICATIONS SUBJECT TO CHANGE WITHOUT NOTICE  
DIMENSIONS ARE FOR REFERENCE ONLY

**EO**® **Edmund Optics**®

THIRD ANGLE PROJECTION 

ALL DIMS IN mm

|        |  |
|--------|--|
| TITLE  | 365nm CWL, 12.5mm DIA., HARD COATED OD<br>4.0 10nm UNMOUNTED BANDPASS FILTER |
| DWG NO | 15116  |
|        | SHEET<br>1 OF 1  |