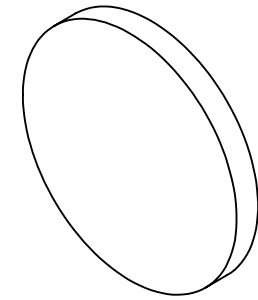


NOTES:

- SUBSTRATE:
HOYA GLASS: ND-70
- SURFACE S2 TO BE PARALLEL WITH SURFACE S1 TO WITHIN <0.02 mm

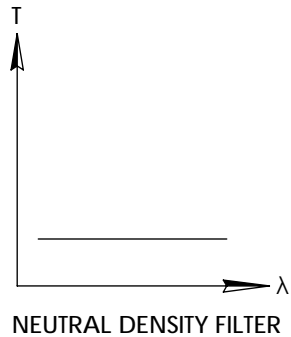
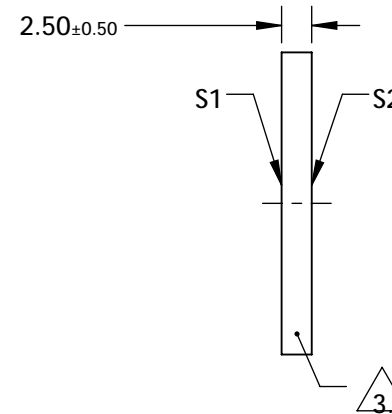
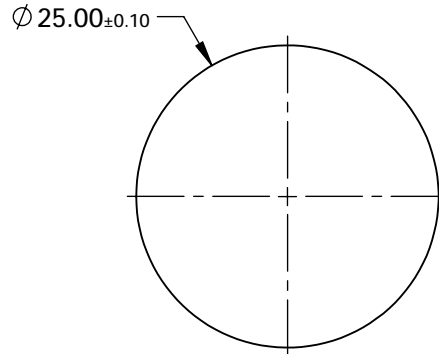
**FOR INFORMATION ONLY:
DO NOT MANUFACTURE
PARTS TO THIS DRAWING**



3. FINE GRIND SURFACE

- COATING SPECIFICATION:
S1 & S2:R(ABS) $\leq 1.5\%$ @ 750 - 800nm
R(ABS) $\leq 1.0\%$ @ 800 - 1550nm
R(AVG) $\leq 0.7\%$ @ 750 - 1550nm

- OPTICAL DENSITY: 0.15 +/- 0.03 @400-700nm
- TRANSMISSION (%): 70.0% AVERAGE FROM 400-700nm
- ROHS COMPLIANT



SPECIFICATIONS SUBJECT TO CHANGE WITHOUT NOTICE
DIMENSIONS ARE FOR REFERENCE ONLY

EO® Edmund Optics®

	S1	S2
SHAPE	PLANO	PLANO
SURFACE QUALITY	80-50	80-50
BEVEL	PROTECTIVE AS NEEDED	PROTECTIVE AS NEEDED



ALL DIMS IN mm

TITLE	0.15 OD, 25mm DIA., NIR II COATED, ABSORPTIVE ND FILTER	
DWG NO	13236	SHEET 1 OF 1