

NOTES:

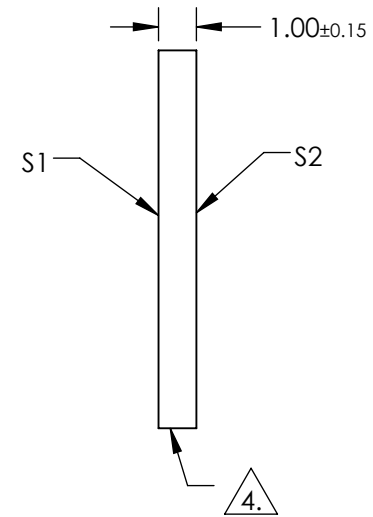
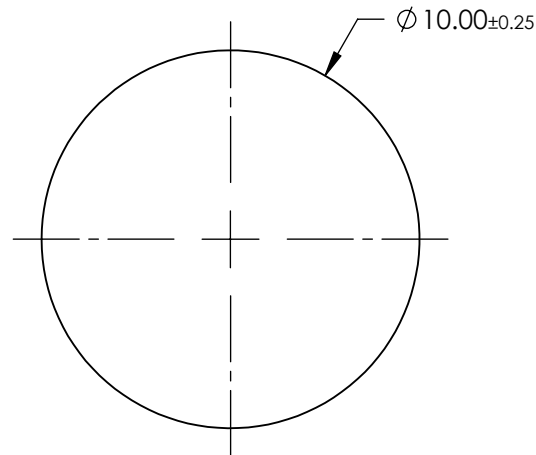
1. SUBSTRATE:  
SAPPHIRE (AL<sub>2</sub>O<sub>3</sub>)
2. SURFACE S2 TO BE PARALLEL WITH SURFACE S1 TO WITHIN ≤ 3.5 ARCMIN
3. COATING (APPLY ACROSS CLEAR APERTURE)

S1 & S2: R(AVG) <1.5% @ 2000-5000nm  
 R(ABS) <3.0% @ 2000-5000nm  
 R(AVG) <1.75% @ 2000-4000nm

 FINE GRIND SURFACE

5. ROHS COMPLIANT

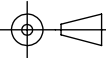
**FOR INFORMATION ONLY:  
 DO NOT MANUFACTURE  
 PARTS TO THIS DRAWING**



	S1	S2
SHAPE	PLANO	PLANO
CLEAR APERTURE	Ø9.00	Ø9.00
SURFACE FLATNESS	2λ	2λ
SURFACE ROUGHNESS	0.1 MICRONS PER INCH	0.1 MICRONS PER INCH
SURFACE QUALITY	80-50	80-50
BIREFRINGENCE (n <sub>o</sub> -n <sub>e</sub> )	0.008	0.008
BEVEL	PROTECTIVE AS NEEDED	PROTECTIVE AS NEEDED

SPECIFICATIONS SUBJECT TO CHANGE WITHOUT NOTICE  
 DIMENSIONS ARE FOR REFERENCE ONLY

 **Edmund Optics®**

THIRD ANGLE PROJECTION 	TITLE	10mm DIAMETER, BBAR (2000-5000nm) AR COATED SAPPHIRE WINDOW		
	ALL DIMS IN	mm	DWG NO	16002