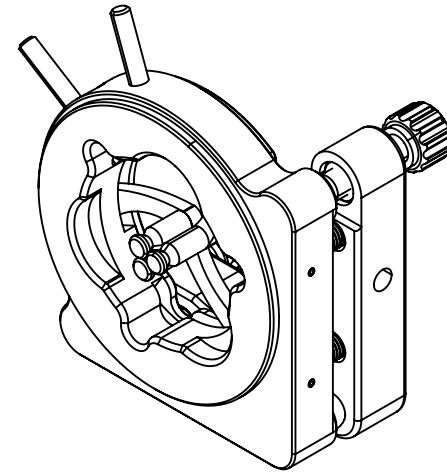
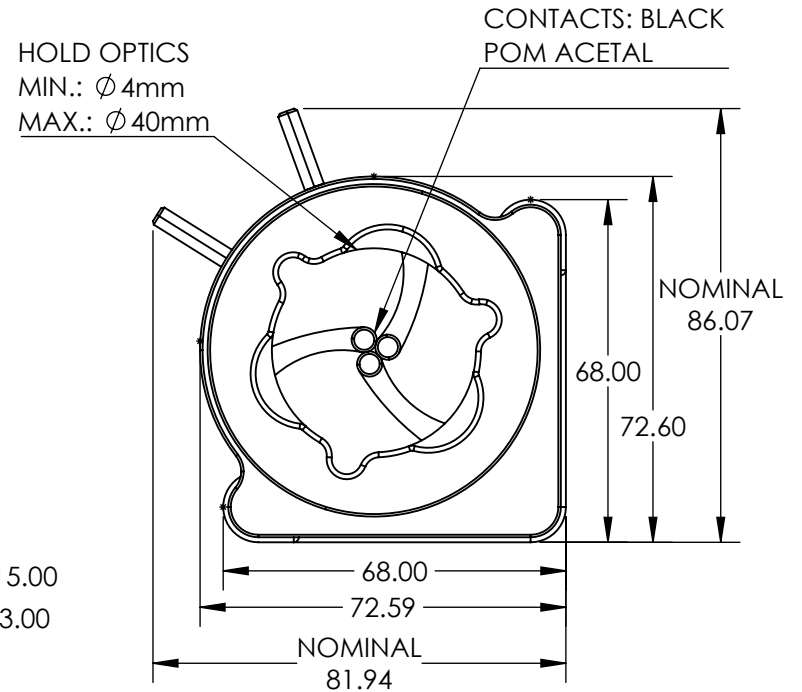
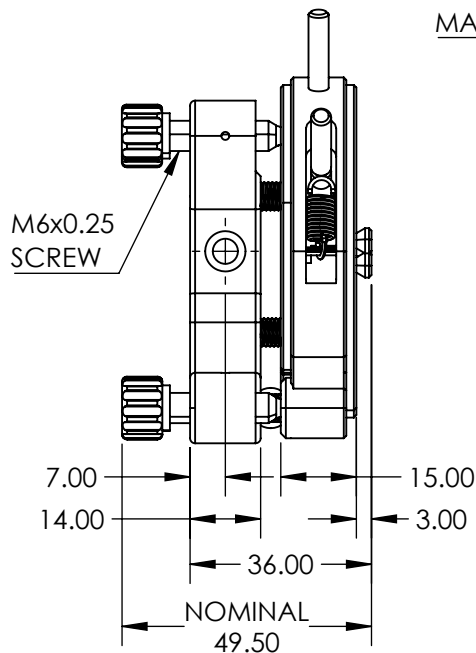
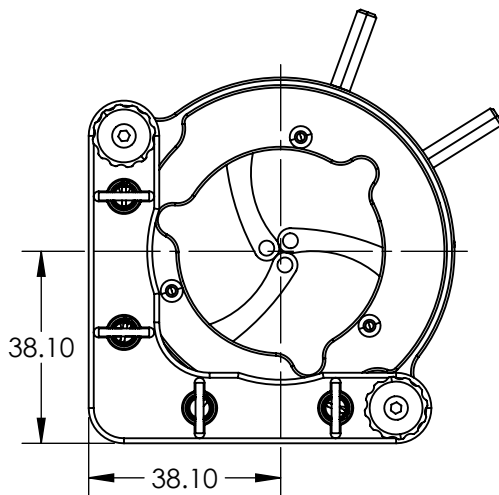


OPEN JAW CLAMP VIEW



CLOSED JAW CLAMP VIEW



**FOR INFORMATION ONLY:
DO NOT MANUFACTURE
PARTS TO THIS DRAWING**

SPECIFICATIONS SUBJECT TO CHANGE WITHOUT NOTICE
DIMENSIONS ARE FOR REFERENCE ONLY

EO® Edmund Optics®

THIRD ANGLE PROJECTION		TITLE	E-Series Jaw Clamp Kinematic Mount	
ALL DIMS IN	mm	DWG NO	17243	SHEET 1 OF 2