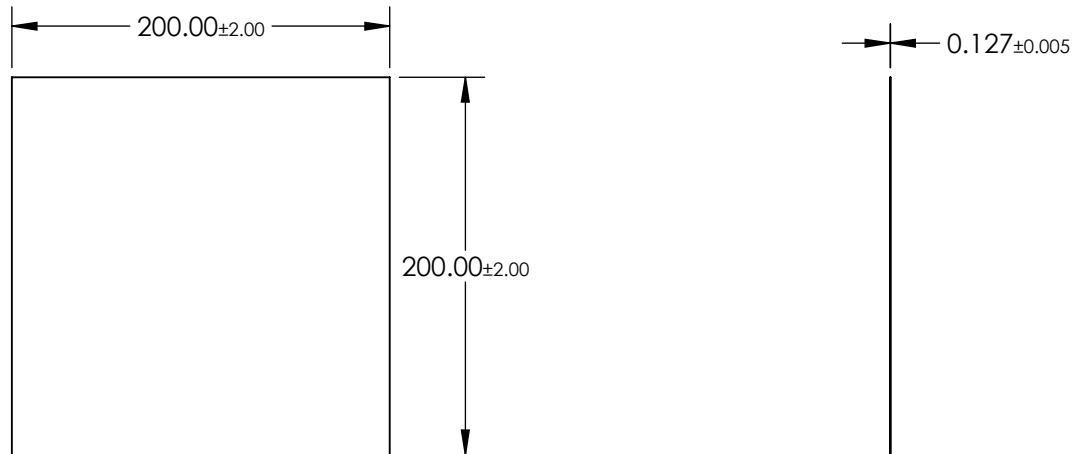


NOTES:

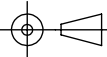
1. SUBSTRATE:
TAC FILM
2. COATING (APPLY ACROSS CLEAR APERTURE)
S1 & S2: NONE
3. PROTECTIVE FILM ON NON-MATTE SURFACE SHOULD BE REMOVED BEFORE USE
4. WAVELENGTH RANGE: 300 - 1100 nm
5. ROHS COMPLIANT



**FOR INFORMATION ONLY:
DO NOT MANUFACTURE
PARTS TO THIS DRAWING**

SPECIFICATIONS SUBJECT TO CHANGE WITHOUT NOTICE
DIMENSIONS ARE FOR REFERENCE ONLY

EO® Edmund Optics®

THIRD ANGLE PROJECTION 		TITLE	200 x 200mm Light Diffusing Film	
ALL DIMS IN	mm	DWG NO	20220	SHEET 1 OF 1