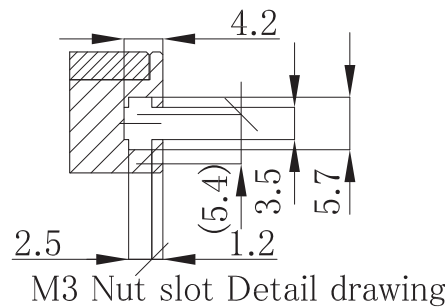
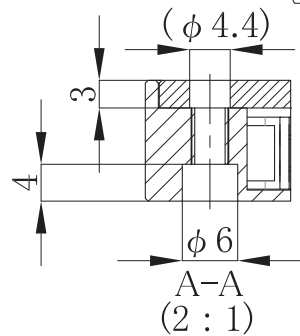
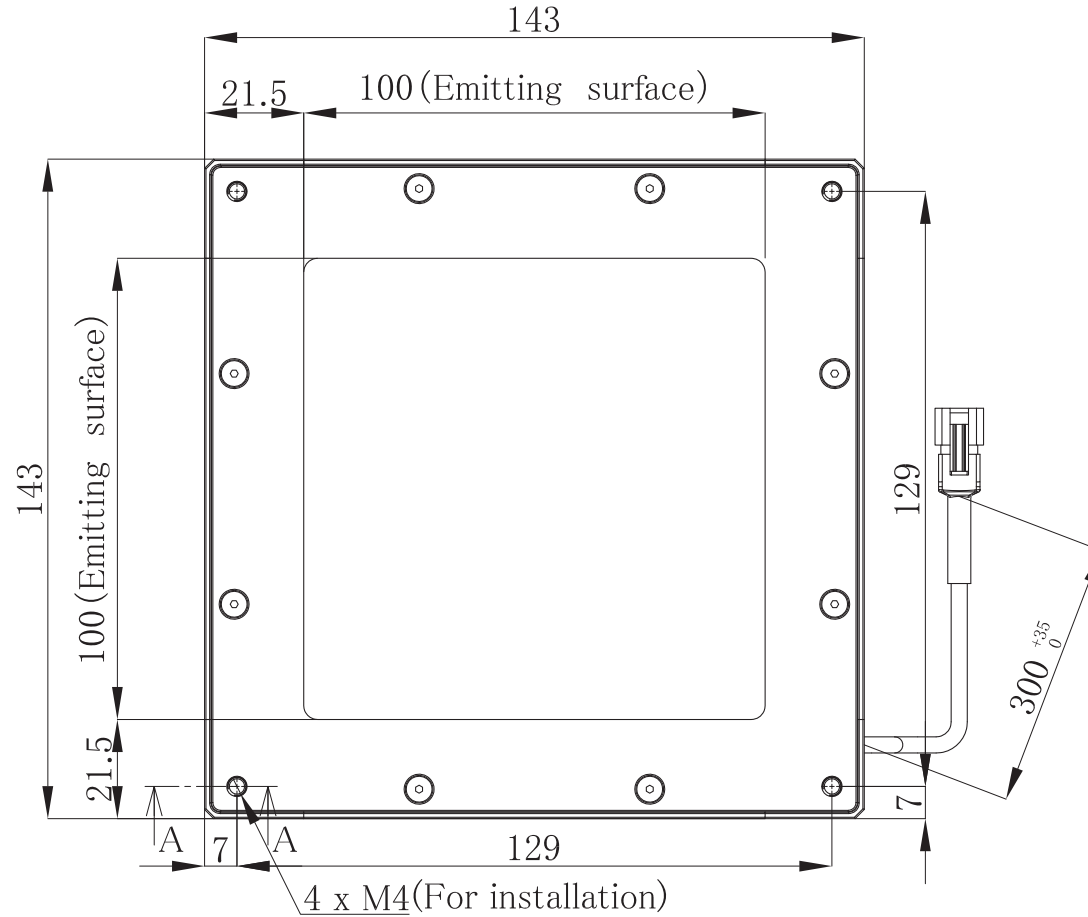
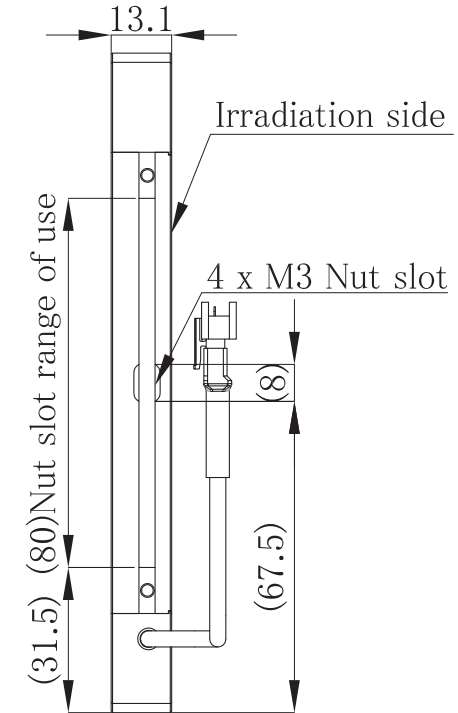


LFX3-100BL-PT-A



Model name	LFX3-100BL-PT-A
LED color	Blue
Input voltage	24 VDC
Power consumption	13 W
Weight	400 g
Connector	SMR-03V-B
Polarity and signal	1:(+), 2:NC, 3:(-)

Unit: mm



	LFX3-100BL-PT-A	LFX3-100BL-PT-B
Light guide plate pattern width	1mm	2mm