

NOTES:

1. SUBSTRATE:  
Fused Silica
2. CENTERING TOLERANCE (AT 587.6nm): <1ARCMIN
3. COATING (APPLY ACROSS COATING APERTURE)  
S1 & S2: UV-VIS

FOR INFORMATION ONLY:  
DO NOT MANUFACTURE  
PARTS TO THIS DRAWING

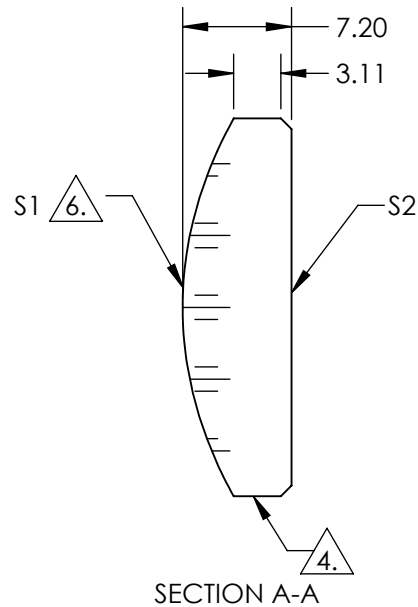
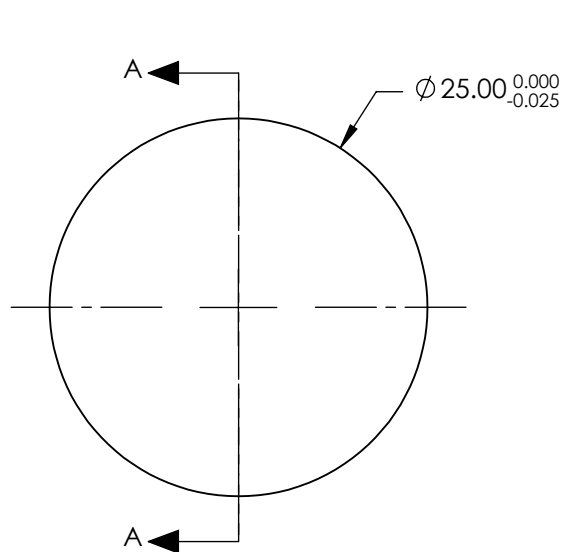
SPECIFICATIONS SUBJECT TO CHANGE WITHOUT NOTICE  
DIMENSIONS ARE FOR REFERENCE ONLY

4. EDGES: FINE GROUND

5. ASPHERIC FIGURE ERROR: 0.25 μm RMS

6. ASPHERIC SURFACE DESCRIBED BY (REF. COEFFICIENT TABLE):

$$Z_{ASPH}(Y) = \frac{(\frac{1}{RADIUS}) * Y^2}{1 + \sqrt{1 - (1+k) * (\frac{1}{RADIUS})^2 * Y^2}} + D * Y^2 + E * Y^4 + F * Y^6 + G * Y^8 + H * Y^{10} + J * Y^{12} + L * Y^{14}$$



COEFFICIENT TABLE 6.	
COEFFICIENT	S1
SEMI-DIAMETER	1.250000E+01
(1/RADIUS)	4.200798E-02
k	-6.630000E-01
D	0.000000E+00
E	8.650042E-07
F	2.870604E-10
G	0.000000E+00
H	0.000000E+00
J	0.000000E+00
L	0.000000E+00

	S1	S2	EFL @ 355nm: 50.00	<b>Edmund Optics®</b>			
			BFL @ 355nm: 45.10				
SHAPE	CONVEX	CONVEX	THIRD ANGLE PROJECTION	TITLE	25mm Dia 0.23 NA Uncoated, UV Fused Silica Aspheric Lens		
SURFACE QUALITY	40-20	40-20	ALL DIMS IN	mm	DWG NO	17328	
CLEAR APERTURE	Ø 22.5mm	Ø 22.5mm					
BEVEL	PROTECTIVE AS NEEDED	PROTECTIVE AS NEEDED					
							SHEET 1 OF 1