

NOTES:

- 1. SUBSTRATE: Schott NG11
- 2. COATING (APPLY ACROSS CLEAR APERTURE)

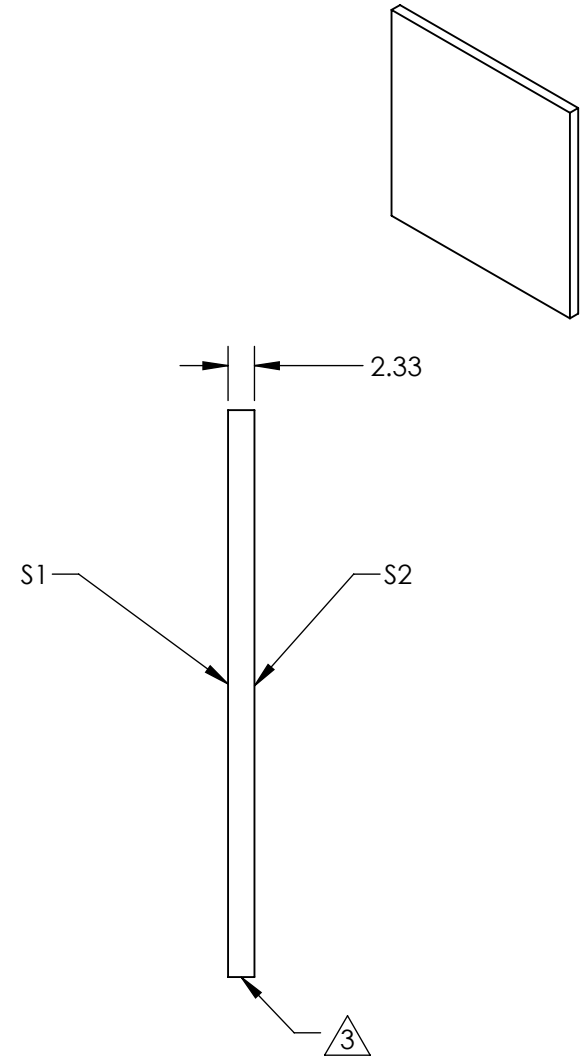
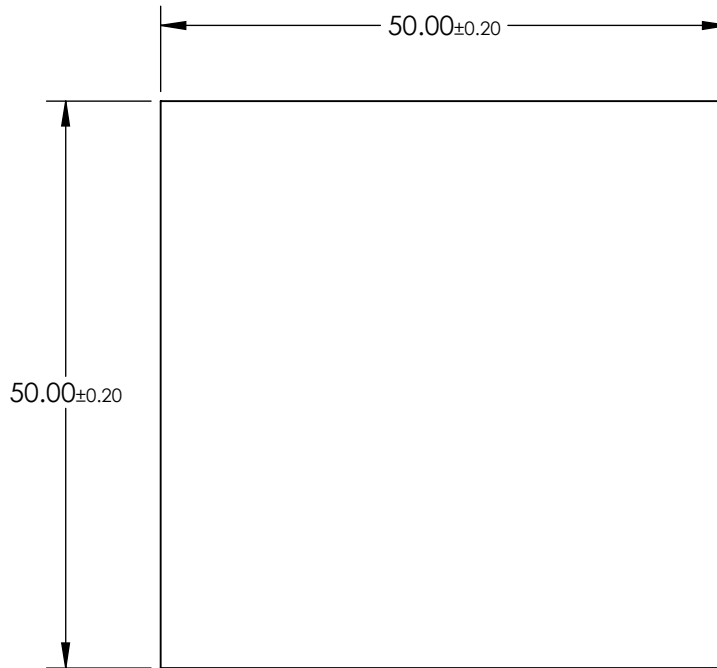
S1 & S2: NONE

3. FINE GRIND SURFACE (ADD INK NOTE AS NEEDED)

4. TRANSMISSION (%):
50.12 ±1.85

5. OPTICAL DENSITY: 0.3 ±0.008

5. ROHS COMPLIANT



**FOR INFORMATION ONLY:
DO NOT MANUFACTURE
PARTS TO THIS DRAWING**

SPECIFICATIONS SUBJECT TO CHANGE WITHOUT NOTICE
DIMENSIONS ARE FOR REFERENCE ONLY

EO® Edmund Optics®

| | | | | | | | |
|-----------------|-------------|-------------|------------------------|----|--------|--|------------------|
| | S1 | S2 | THIRD ANGLE PROJECTION | | TITLE | SCHOTT NG11 633nm 50mm Sq., 0.3 OD ND Filter | |
| SHAPE | PLANO | PLANO | ALL DIMS IN | mm | DWG NO | 21371 | SHEET 6 OF 15 |
| SURFACE QUALITY | 60-40 | 60-40 | | | | | |
| CLEAR APERTURE | 48.5 x 48.5 | 48.5 x 48.5 | | | | | |