

NOTES:

1. SUBSTRATE: N-BK7
2. COATING
S1 & S2: VIS-EXT+
Ravg <0.5% @ 350 - 700nm @ ±30° AOI
Rabs <1.5% @ 350 - 700nm @ ±30° AOI

3. EDGES: FINE GRIND SURFACE

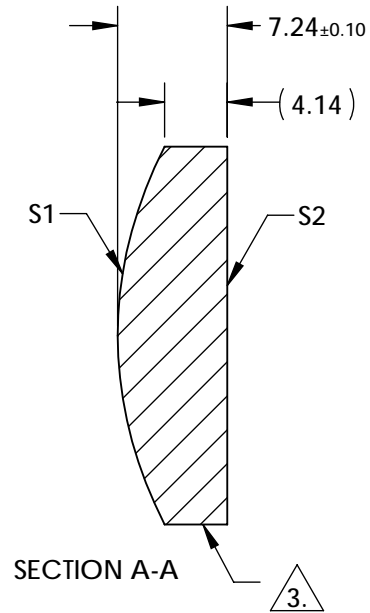
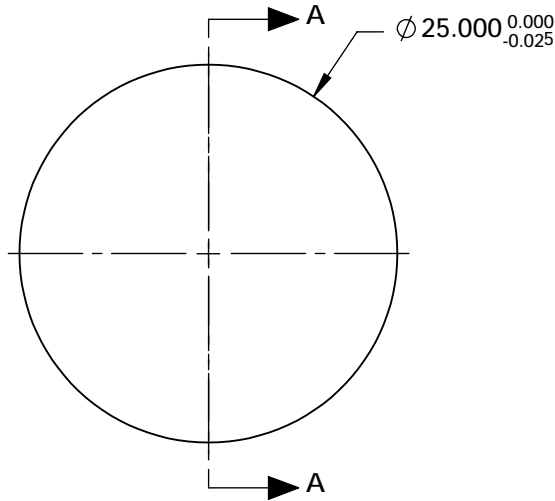
4. CENTERING: < 3 ARCMIN

5. ASPHERIC FIGURE ERROR: 0.016 μm RMS

6. ASPHERIC SURFACE DESCRIBED BY THE FOLLOWING EQUATION AND COEFFICIENTS SHOWN IN TABLE BELOW

$$Z(Y) = \frac{\left(\frac{1}{\text{RADIUS}}\right) * Y^2}{1 + \sqrt{1 - (1+k) * \left(\frac{1}{\text{RADIUS}}\right)^2 * Y^2}} + D * Y^2 + E * Y^4 + F * Y^6 + G * Y^8 + H * Y^{10} + J * Y^{12} + L * Y^{14} + M * Y^{16}$$

7. ROHS: COMPLIANT



COEFFICIENT TABLE 6.

	S1
SEMI-DIAMETER	1.250000E+01
COEFFICIENT	
(1/RADIUS)	3.869969E-02
k	-8.004240E-01
D	0.000000E+00
E	1.643994E-06
F	5.887865E-10
G	0.000000E+00
H	0.000000E+00
J	0.000000E+00
L	0.000000E+00
M	0.000000E+00

SPECIFICATIONS SUBJECT TO CHANGE WITHOUT NOTICE
DIMENSIONS ARE FOR REFERENCE ONLY

	S1	S2
SHAPE	CONVEX	PLANO
RADIUS	25.84	INFINITY
SURFACE QUALITY	40 - 20	40 - 20
CLEAR APERTURE	Ø22.50	Ø22.50
BEVEL	PROTECTIVE AS NEEDED	PROTECTIVE AS NEEDED

EFL: 50.00mm		Edmund Optics®	
BFL: 45.23mm			
THIRD ANGLE PROJECTION	TITLE	25mm Dia x 50mm FL, VIS-EXT+, High Precision Aspheric Lens	
ALL DIMS IN mm	DWG NO	22893	SHEET 1 OF 1

**FOR INFORMATION ONLY:
DO NOT MANUFACTURE
PARTS TO THIS DRAWING**