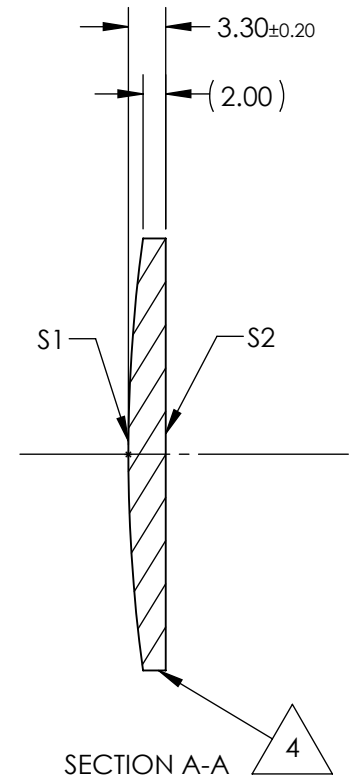
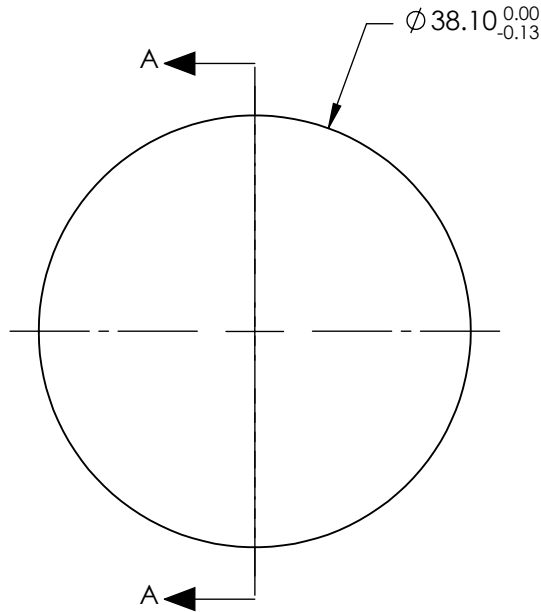


NOTES:

1. SUBSTRATE:
Zinc Selenide (ZnSe), CVD Grade
2. CENTERING TOLERANCE:
<3 ARCMIN
3. COATING (APPLY ACROSS CLEAR APERTURE)
S1 & S2: NONE
4. FINE GRIND SURFACE
5. FOCAL LENGTH TOLERANCE: ±2%
6. ROHS COMPLIANT



**FOR INFORMATION ONLY:
DO NOT MANUFACTURE
PARTS TO THIS DRAWING**

SPECIFICATIONS SUBJECT TO CHANGE WITHOUT NOTICE
DIMENSIONS ARE FOR REFERENCE ONLY

	S1	S2
SHAPE	CONVEX	PLANO
RADIUS	140	INFINITY
IRREGULARITY AT 10.6µm	λ/20	λ/20
SURFACE QUALITY	60-40	60-40
CLEAR APERTURE	ø34.29	ø34.29
BEVEL	PROTECTED AS NEEDED	PROTECTED AS NEEDED

EFL @ 10.6µm	100.0
BFL @ 10.6µm	98.41
THIRD ANGLE PROJECTION	
ALL DIMS IN	mm

Edmund Optics®

TITLE	38.1mm Dia. x 100mm FL, Uncoated, ISP Optics ZnSe Plano-Convex Lens	
DWG NO	24953	SHEET 1 OF 1