

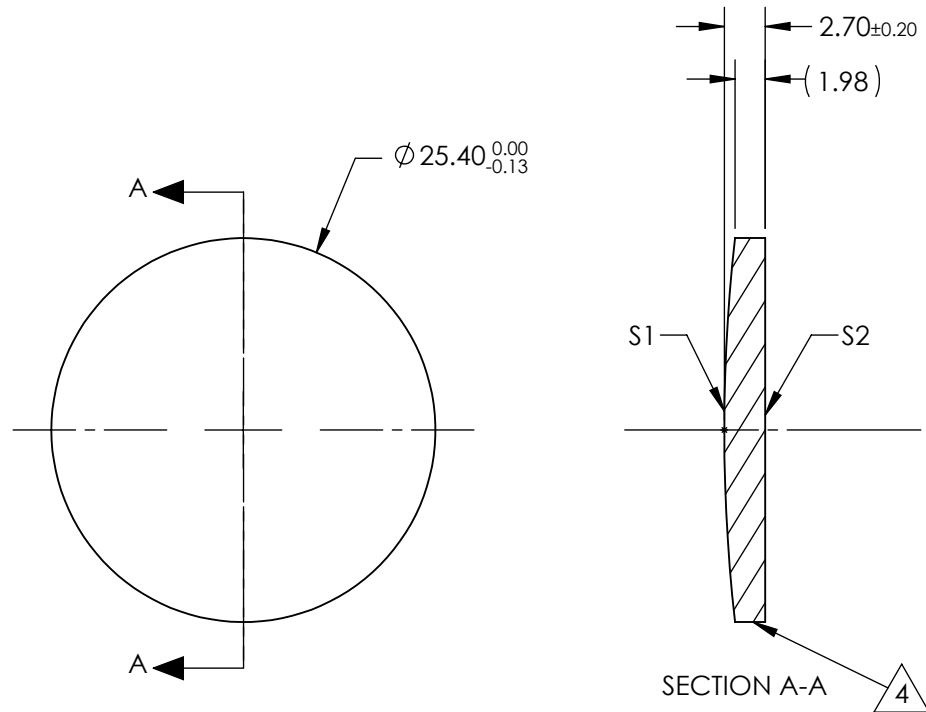
NOTES:

1. SUBSTRATE:  
Barium Fluoride (BaF2)
2. CENTERING TOLERANCE:  
<3 ARCMIN
3. COATING (APPLY ACROSS CLEAR APERTURE)  
S1 & S2: NONE

4. FINE GRIND SURFACE

5. FOCAL LENGTH TOLERANCE: ±2%

6. ROHS COMPLIANT



**FOR INFORMATION ONLY:  
DO NOT MANUFACTURE  
PARTS TO THIS DRAWING**

SPECIFICATIONS SUBJECT TO CHANGE WITHOUT NOTICE  
DIMENSIONS ARE FOR REFERENCE ONLY

	S1	S2	EFL @ 5µm	250.0	 <b>Edmund Optics®</b>	
SHAPE	CONVEX	PLANO	BFL @ 5µm	248.06		
RADIUS	112.72	INFINITY			TITLE	25.4mm Dia. x 250mm FL, Uncoated, ISP Optics Barium Fluoride (BaF2) PCX Lens
IRREGULARITY AT 632.8nm	1λ	1λ			ALL DIMS IN	mm
SURFACE QUALITY	60-40	60-40				SHEET 1 OF 1
CLEAR APERTURE	ø22.86	ø22.86				
BEVEL	PROTECTED AS NEEDED	PROTECTED AS NEEDED				