

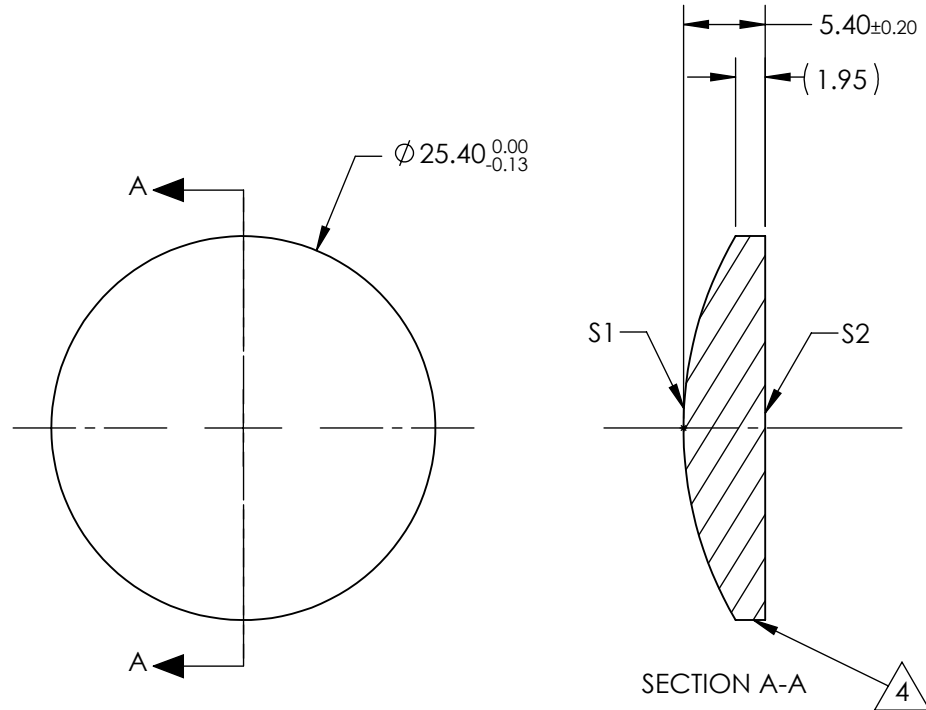
NOTES:

1. SUBSTRATE:
Calcium Fluoride, IR Grade (CaF₂)
2. CENTERING TOLERANCE:
<3 ARCMIN
3. COATING (APPLY ACROSS CLEAR APERTURE)
S1 & S2: NONE

4. FINE GRIND SURFACE

5. FOCAL LENGTH TOLERANCE: ±2%

6. ROHS COMPLIANT



**FOR INFORMATION ONLY:
DO NOT MANUFACTURE
PARTS TO THIS DRAWING**

SPECIFICATIONS SUBJECT TO CHANGE WITHOUT NOTICE
DIMENSIONS ARE FOR REFERENCE ONLY

	S1	S2	EFL @ 5μm	63.5	 Edmund Optics®	
SHAPE	CONVEX	PLANO	BFL @ 5μm	124.86		
RADIUS	25.1	INFINITY			TITLE	25.4mm Dia. x 63.5mm FL, Uncoated, ISP Optics Calcium Fluoride (CaF ₂) PCX Lens
IRREGULARITY AT 632.8nm	1λ	1λ			ALL DIMS IN	mm
SURFACE QUALITY	60-40	60-40				SHEET 1 OF 1
CLEAR APERTURE	∅22.86	∅22.86				
BEVEL	PROTECTED AS NEEDED	PROTECTED AS NEEDED				