

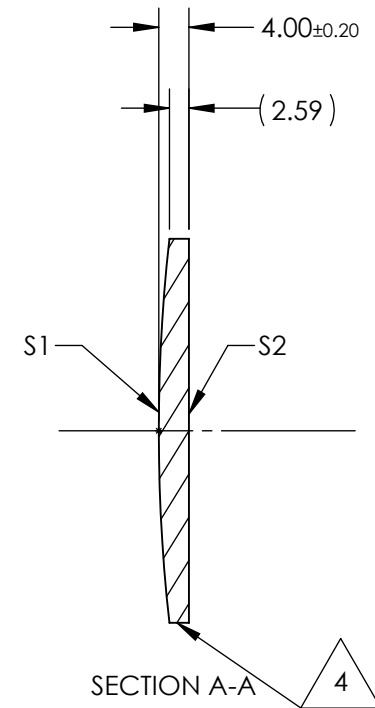
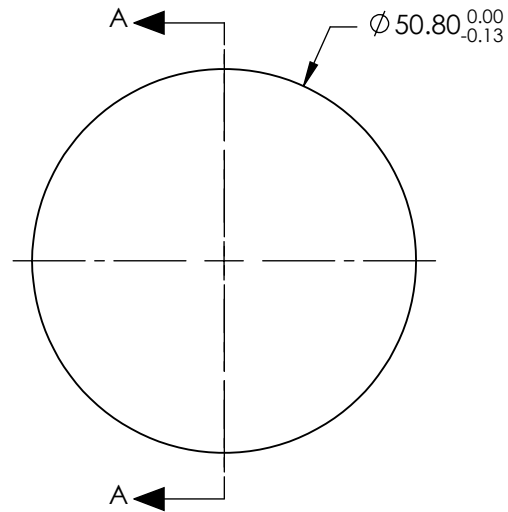
NOTES:

1. SUBSTRATE:
Germanium (Ge)
2. CENTERING TOLERANCE:
<3 ARCMIN
3. COATING (APPLY ACROSS CLEAR APERTURE)
S1 & S2: NONE

4. FINE GRIND SURFACE

5. FOCAL LENGTH TOLERANCE: ±2%

6. ROHS COMPLIANT



**FOR INFORMATION ONLY:
DO NOT MANUFACTURE
PARTS TO THIS DRAWING**

SPECIFICATIONS SUBJECT TO CHANGE WITHOUT NOTICE
DIMENSIONS ARE FOR REFERENCE ONLY

	S1	S2
SHAPE	CONVEX	PLANO
RADIUS	229.1	INFINITY
IRREGULARITY AT 10.6µm	λ/20	λ/20
SURFACE QUALITY	60-40	60-40
CLEAR APERTURE	ø45.72	ø45.72
BEVEL	PROTECTED AS NEEDED	PROTECTED AS NEEDED

EFL @ 10.6µm	75.0
BFL @ 10.6µm	75.27
THIRD ANGLE PROJECTION	
ALL DIMS IN	mm

Edmund Optics®

TITLE	50.8mm Dia. x 76.2mm FL, Uncoated, ISP Optics Germanium (Ge) PCX Lens
DWG NO	24860
SHEET	1 OF 1