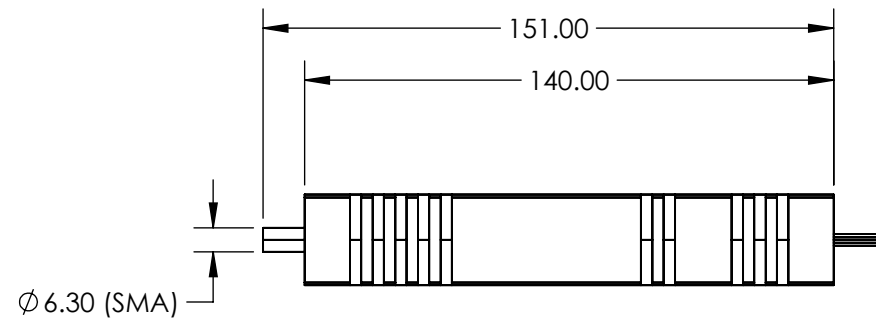
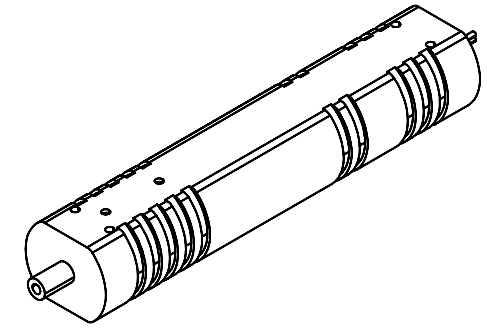
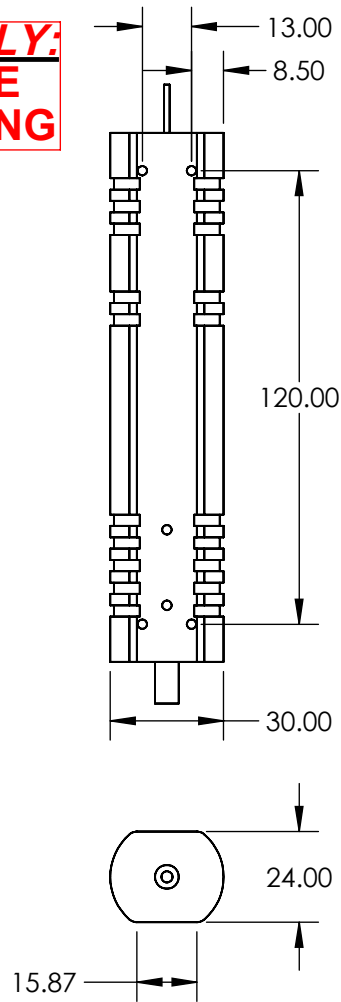


**FOR INFORMATION ONLY:
DO NOT MANUFACTURE
PARTS TO THIS DRAWING**



	VALUE
WAVELENGTH (nm)	405
OUTPUT POWER	100
COLOR	VIOLET
LASER CLASS	CLASS IIIB
OPERATING TEMPERATURE (°C)	+15 to +30
OPERATING VOLTAGE (V)	5.0
SPATIAL MODE	FIBER-COUPLED
LASER TYPE	DIODE
CONNECTOR	SMA
LENGTH OF FIBER (m)	1

SPECIFICATIONS SUBJECT TO CHANGE WITHOUT NOTICE
DIMENSIONS ARE FOR REFERENCE ONLY

EO® Edmund Optics®

THIRD ANGLE PROJECTION

TITLE

100mW, 405nm Fiber-Coupled Laser Module

ALL DIMS IN

mm

DWG NO

19478

SHEET
1 OF 1